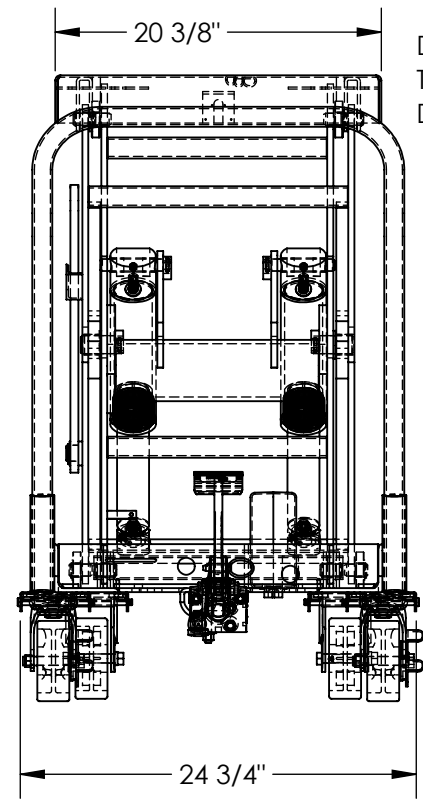
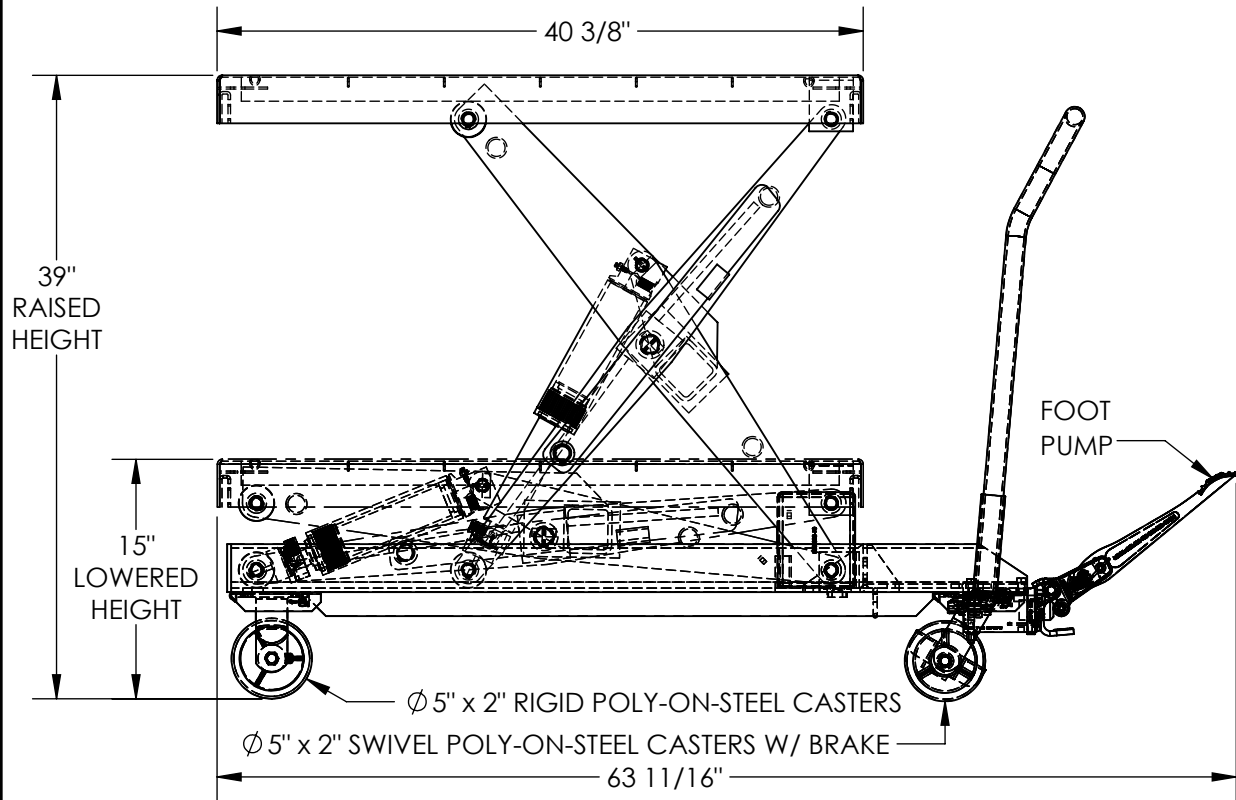


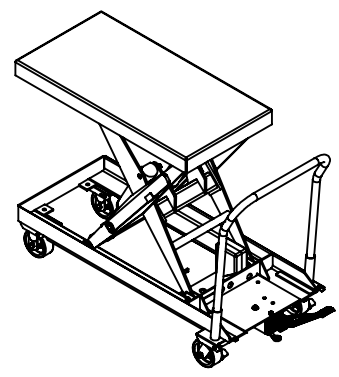
FOOT PUMP HYDRAULIC SCISSOR LIFT CART - CART-2500-2040-FP

APPROX WEIGHT: 350.94 lbs.
DOES NOT INCLUDE WEIGHT OF POWER OR PACKAGING!!!

*** ANY ADDITIONS, DELETIONS, OR OMISSIONS MUST BE CORRECTED ON THIS DRAWING AS THIS DRAWING WILL BE CONSIDERED ALL INCLUSIVE ***
ALL GRAPHICS PROVIDED ARE FOR REFERENCE ONLY. IF CERTAIN DIMENSIONS ARE CRITICAL PLEASE VERIFY THOSE DIMENSIONS WITH YOUR SALESPERSON



DECK TOLERANCE $\pm 1/2$ "
TABLE HEIGHT TOLERANCES $\pm 1/2$ "
DECK FLATNESS $\pm 1/4$ "



STANDARD FEATURES

- MODEL NUMBER IS CART-2500-2040-FP
- OVERALL WIDTH IS 24 3/4"
- USABLE WIDTH IS 20 3/8"
- OVERALL LENGTH IS 63 11/16"
- USABLE LENGTH IS 40 3/8"
- RAISED HEIGHT IS 39"
- LOWERED HEIGHT IS 15"
- Ø 5" x 2" RIGID POLY-ON-STEEL CASTERS
- Ø 5" x 2" SWIVEL POLY-ON-STEEL CASTERS W/ BRAKE
- TABLE CAPACITY (EVENLY DISTRIBUTED)
- MAX CAPACITY IS 2,500 LBS
- SAFETY MAINTENANCE PROPS, DISPLACEMENT STYLE CYLINDERS INSTALLED ROD DOWN
- EMERGENCY SAFETY STOP HYDRAULIC FUSES
- TWO SPEED AUTO SHIFTING MANUAL FOOT PUMP
- NUMBER OF PUMPS TO RAISE TABLE
- LOW PRESSURE: 36
- HIGH PRESSURE: 100
- DURABLE LIQUID PAINT BLUE FINISH

SPECIAL FEATURES

NONE

DIMENSION TOLERANCE $\pm 1/4$ "

APPROVAL

I, THE UNDERSIGNED, AGREE THAT THE PRODUCT AS REPRESENTED SATISFIES DESIGN AND DIMENSION REQUIREMENTS. I ALSO ACKNOWLEDGE MY DUTY TO CONFIRM PRODUCT AND INSTALLATION COMPLIANCE WITH ALL APPLICABLE FEDERAL, STATE AND LOCAL REGULATIONS AND STANDARDS.

ANY MODIFIED UNITS ARE NON-RETURNABLE

[] As drawn [] As marked

Signed: _____ Date: _____

Printed Name: _____

LEAD TIME WILL START UPON RECEIPT OF SIGNED APPROVAL DRAWING

FOR INTERNAL USE ONLY PROJECT SIGN OFF	
SALES	
ENG.	
FAB.	
POWER	

DISTRIBUTOR'S NAME: HOF EQUIPMENT COMPANY PH: 888-990-1150		P.O.# X
DRAWN BY: CRA DATE: 09/12/2017		W.O.# X
REFERENCE: X	SCALE: 1:12	SALES: X
QUOTED LEAD TIME: X	QUOTE # X	FILE NAME: 01-007-358