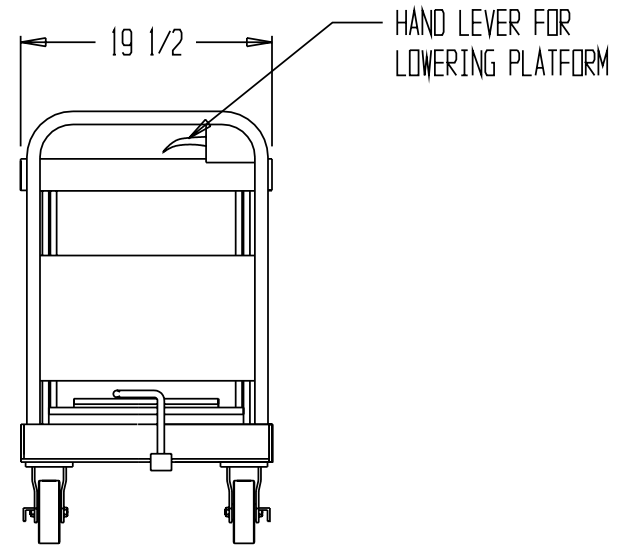
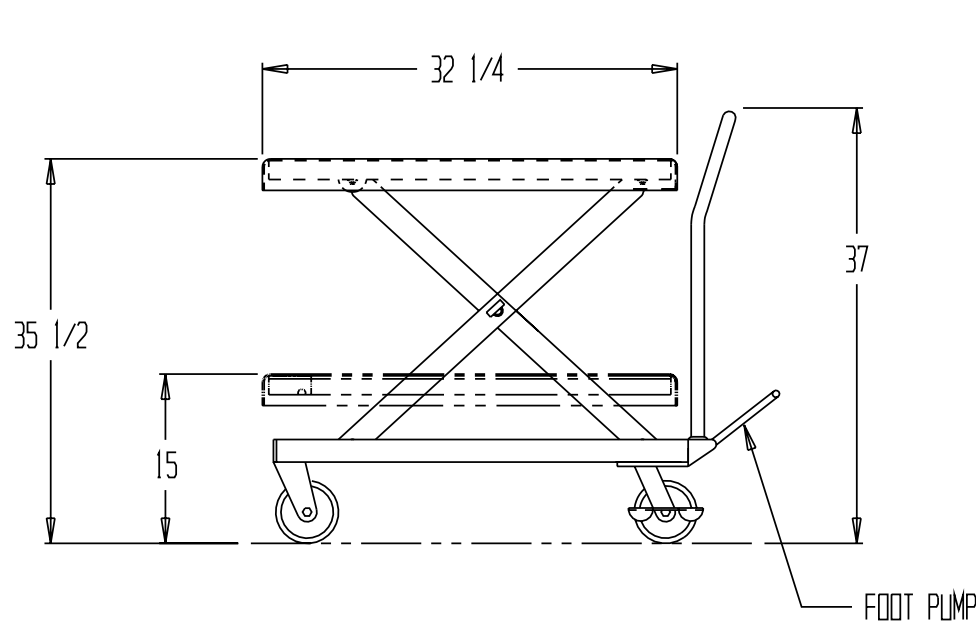


**SPECIAL UNITS ARE NON-RETURNABLE
 *AVAILABLE AT ADDITIONAL COSTS

STAINLESS STEEL HYDRAULIC ELEVATING CART, CART-1000-PSS



STANDARD FEATURES

MODEL NUMBER: CART-1000-PSS
 CAPACITY: 1,000 LBS.
 PLATFORM: 19 1/2" x 32 1/4"
 PLATFORM RAISED HEIGHT: 35 1/2"
 PLATFORM LOWERED HEIGHT: 15"
 STANDARD SINGLE SPEED FOOT PUMP

NOTE: SCISSOR LEGS, CASTERS, CASTER GUARDS, & PUMP ASSEMBLY ARE NOT STAINLESS STEEL.
 SCISSOR LEGS & WHEEL GUARDS ARE PAINTED CARBON STEEL.
 HANDLE IS CHROMED STEEL.

SPECIAL FEATURES

NONE

LEAD TIME WILL START UPON
 RECEIPT OF SIGNED APPROVAL
 DRAWING

APPROVAL

I, the undersigned, hereby approve this print
 As drawn As marked
 This includes my approval of design & dimensions.
 Signed: _____
 Date: _____

**Any additions, deletions or omissions must
 be corrected on this drawing, as this drawing
 will be considered all inclusive.**

*** ALL GRAPHICS PROVIDED ARE FOR REFERENCE ONLY.
 IF CERTAIN DIMENSIONS ARE CRITICAL PLEASE VERIFY
 THOSE DIMENSIONS WITH YOUR SALESPERSON. ***

DISTRIBUTOR'S NAME:		P.O.#: -
HOF EQUIPMENT COMPANY PH: 888.990.1150		W.O.#: -
DRAWN BY: SR	DATE: 4-20-06	SALES: -
REFERENCE:	DRWG./FILE NAME:	
-	SCALE: NTS	CART-1000-PSS