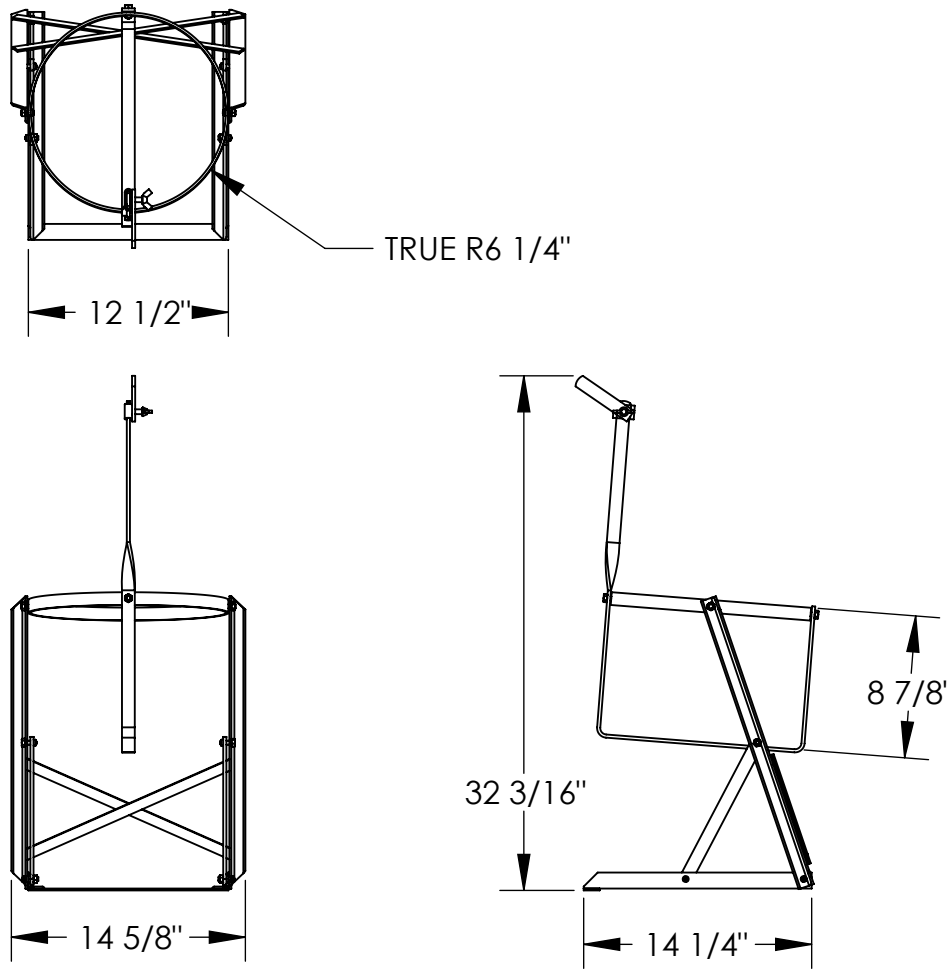


# CAN TIPPER - CAN-A

APPROXIMATE WEIGHT IS: 10.05 lbs.

\*\*\* ANY ADDITIONS, DELETIONS, OR OMISSIONS MUST BE CORRECTED ON THIS DRAWING AS THIS DRAWING WILL BE CONSIDERED ALL INCLUSIVE \*\*\*  
 ALL GRAPHICS PROVIDED ARE FOR REFERENCE ONLY. IF CERTAIN DIMENSIONS ARE CRITICAL PLEASE VERIFY THOSE DIMENSIONS WITH YOUR SALESPERSON



**ALL SPECIAL UNITS  
 ARE NON-RETURNABLE**

<b>A P P R O V A L</b>	I, the undersigned, hereby approve this print. This includes my approval of design & dimensions	
	<input type="checkbox"/> As drawn	<input type="checkbox"/> As marked
	Signed: _____ Date: _____	
<b>LEAD TIME WILL START UPON RECEIPT      OF SIGNED APPROVAL DRAWING</b>		

## STANDARD FEATURES

MODEL NUMBER IS: CAN-A  
 OVERALL WIDTH IS: 14 5/8"  
 USABLE WIDTH IS: 6 1/4"  
 OVERALL LENGTH IS: 14 1/4"  
 USABLE LENGTH IS: 6 1/4"  
 OVERALL HEIGHT IS: 32 3/16"

## SPECIAL FEATURES

NONE

DISTRIBUTOR'S NAME: <b>HOF EQUIPMENT COMPANY</b> PH: 888.990.1150		P.O.# X
DRAWN BY: AF	DATE: 08/23/2007	W.O.# X
REFERENCE: X	QUOTE # X	SALES: X
		FILE NAME: 30-007-095

SCALE: 1:12