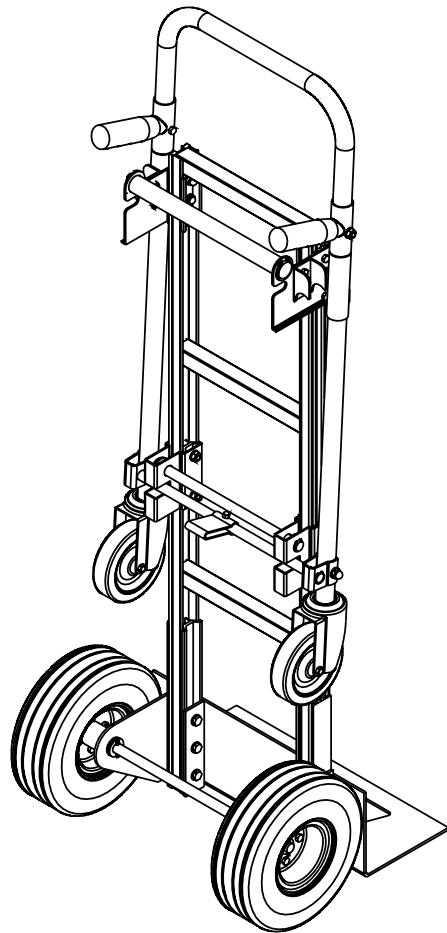


ALUMINUM CONVERTIBLE HAND TRUCK, CAHT-500

*** ALL GRAPHICS PROVIDED ARE FOR REFERENCE ONLY.
IF CERTAIN DIMENSIONS ARE CRITICAL PLEASE VERIFY
THOSE DIMENSIONS WITH YOUR SALESPERSON. ***

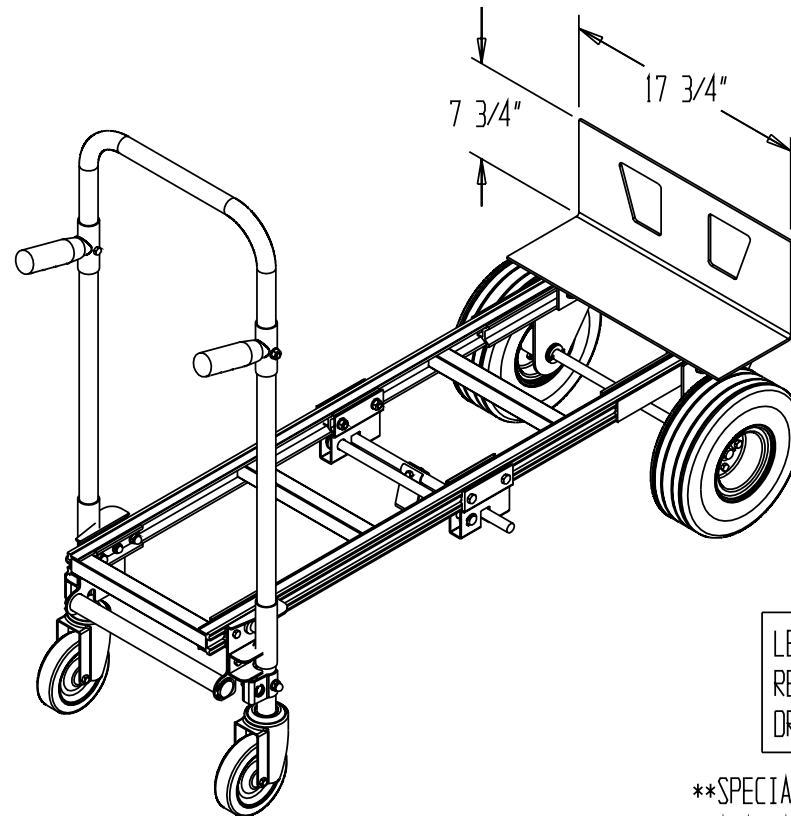


STANDARD FEATURES

MODEL NUMBER: CAHT-500

HAND TRUCK
CAPACITY: 500 LBS.
NOSE PLATE (W x D): 17 3/4" x 7 3/4"
OVERALL WIDTH: 20"
OVERALL DEPTH: 20"
OVERALL HEIGHT: 54"

PLATFORM TRUCK
CAPACITY: 650 LBS.
NOSE PLATE (W x D): 17 3/4" x 7 3/4"
OVERALL WIDTH: 20"
OVERALL DEPTH: 49"
OVERALL HEIGHT: 41"



SPECIAL FEATURES

NONE

LEAD TIME WILL START UPON
RECEIPT OF SIGNED APPROVAL
DRAWING

**SPECIAL UNITS ARE NON-RETURNABLE
*AVAILABLE AT ADDITIONAL COSTS

APPROVAL

I, the undersigned, hereby approve this print
[] As drawn [] As marked
This includes my approval of design & dimensions.
Signed: _____
Date: _____

**Any additions, deletions or omissions must be corrected on this
drawing, as this drawing will be considered all inclusive.**

| | | |
|--|--|------------------------------|
| DISTRIBUTOR'S NAME: HOF EQUIPMENT COMPANY PH: 888-990-1150 | | P.O.#: - |
| DRAWN BY: SR | | W.O.#: - |
| DATE: 6-15-06 | | SALES: - |
| REFERENCE: - | | DRWG./FILE NAME: CAHT-500 |
| SCALE: 1:12 | | |