



# T15

## Electric Walkie Tugger

### TOWING CAPACITY

1,500 lbs.

### INTEGRAL BATTERY / CHARGER

Maintenance free 50AH batteries with 110VAC plug-in automatic charger.

### TRAVEL SPEED

Variable from 0 mph to 3.1 mph empty  
Variable from 0 mph to 2.8 mph loaded

### WEIGHT

215 lbs.

### TIRES / CASTERS

#### DRIVE

(2) 9.8" x 3.3" Pneumatic rubber tires  
Stability casters  
(2) 3" x 1.3" polyurethane

#### DRIVE

24-Volt DC 0.5 horsepower  
S2 60 minute rated electric drive motor with heavy duty transaxle housing.

#### BRAKE

Electronic motor braking provides secure stopping force when not under power.

#### CONTROLS & FEATURES

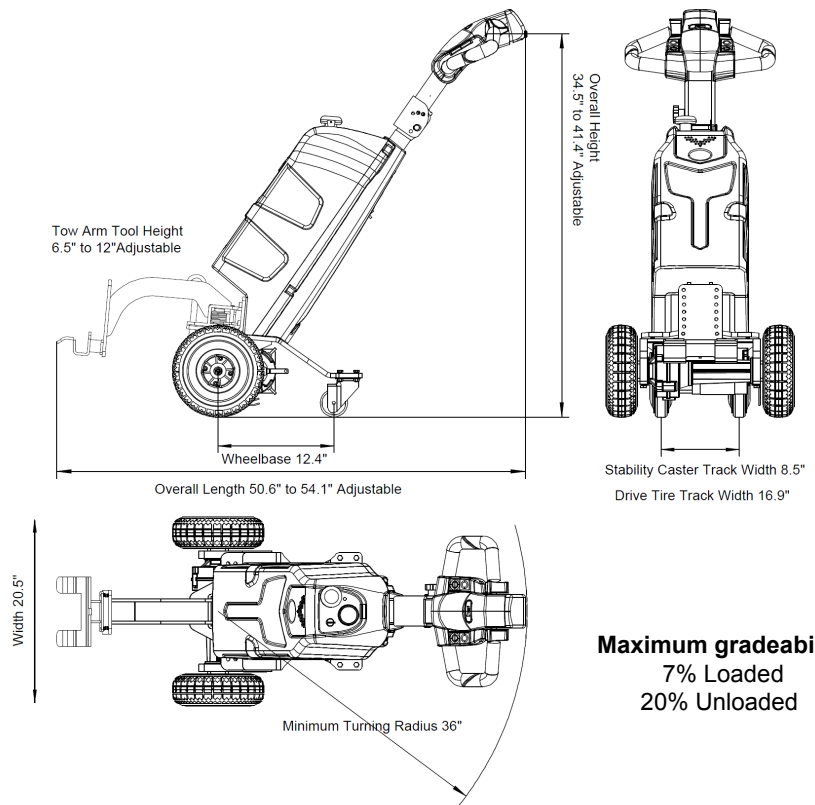
Ergonomic control head with (3) height adjustments accommodates different size operators. Wrap around hand guard, dual butterfly travel controls with infinitely variable forward and reverse travel control, reversing switch, key switch, battery discharge indicator and horn as standard equipment.

#### 180 DEGREE ARTICULATING TOW ARM

Spring loaded tow arm articulates for easy turning and comes with both a pin style and frame grab tools for easy integration with many common industrial carts.



Improve safety and productivity by reducing the strain involved in the transport of common industrial carts.



**Maximum gradeability**  
7% Loaded  
20% Unloaded

