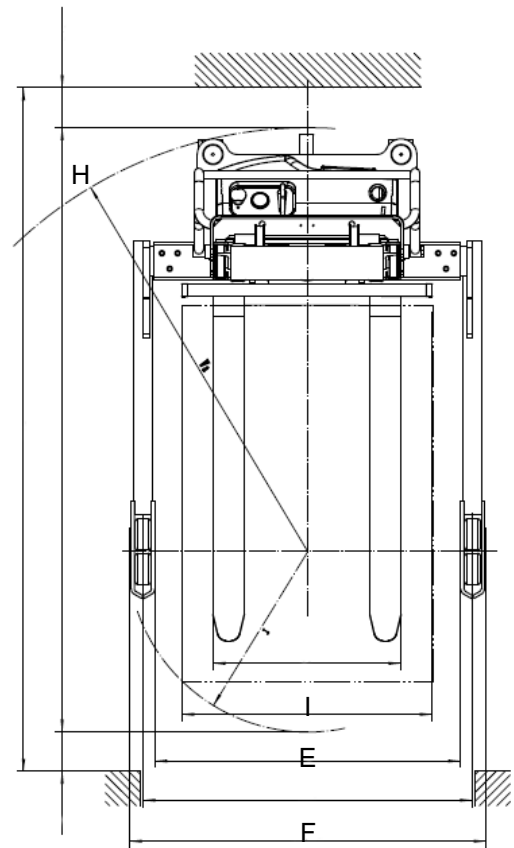
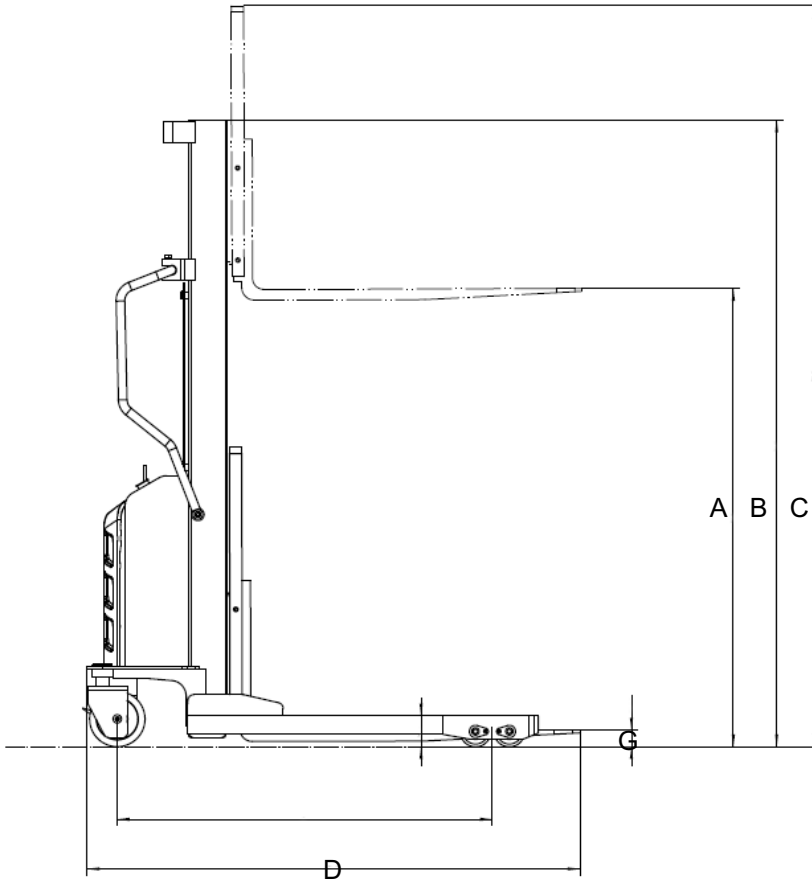


Right Angle Stacking Aisle Width

Load Length	Load Width			
	36"	40"	42"	48"
36"	62"	62"	62"	63"
42"	62"	62"	63"	63"
48"	66"	67"	68"	70"

- Aisle dimensions listed have zero clearance
- Add 6" for ease of use
- Minimum beam length 96"



Model #	Lift Height	Col. Height	Ext. Height	Length	Adjustable Straddle Legs		Lowered Fork Height	Turning Radius	Carriage Width	Ship Weight
	A	B	C		D	ID				
2200 lbs. @ 24" Load Center, Non-Telescopic Mast										
M22-62	62	80.3	95	63	38, 42, 46, 50	44, 48, 52, 58	2.25	58.7	31.5	900
2200 lbs. @ 24" Load Center, Telescopic Mast										
M22-96	96	70	117.6	63	38, 42, 46, 50	44, 48, 52, 58	2.25	58.7	31.5	950
M22-116	116	79.6	137	63	38, 42, 46, 50	44, 48, 52, 58	2.25	58.7	31.5	1000

Measurements in inches



Certification
All units are built to be in compliance with the Occupational Safety & Health Act (OSHA)
Big Lift LLC will not assume liability for injuries or damage arising from, or caused by, the removal of any safety devices from their vehicles by user. Because of the Big Lift LLC continuing product improvements, specifications are subject to change without notice.



M22

Manual Straddle Truck



CAPACITY

2200 lbs. @ 24" Load Center

BATTERY

12V 105 AH polycase maintenance free battery

CHARGER

Built-in 110 VAC

CHASSIS WEIGHT

800-900 lbs. with battery and charger

FORKS

42" Long x 4" Wide x 1.4" Thick

PERFORMANCE

TRAVEL: Manual push

LIFT: ELECTRIC

Up to 23.5 fpm loaded

Up to 43.2 fpm unloaded

LOWERING—HYDRAULIC

Variable

WHEELS

(1) STEER CASTER

7.75" x 2" phenolic

(1) SWIVEL CASTER

7.75" x 2" phenolic

DUAL LOAD

(4) 3.75" x 1.75" phenolic

CONTROLS

Raise and lower lever located in front of operator. Provides fixed lifting speed and variable lowering speed

Two position fold down steer bar

Slip resistant foot actuated floor lock for secure grip while parked

Emergency power disconnect

HYDRAULICS

Heavy duty 2 horsepower lift motor

Pressure compensating flow control valve regulates lowering speed

Hydraulic reservoir with filter

ELECTRICAL

Battery discharge indicator, easy access battery compartment. Integral 110VAC "smart" charger. Control circuits are fuse-protected with auto reset circuit breaker; plug-in type connectors

FRAME AND MAST

All steel construction welded rigid steel chassis for distortion free service life
Adjustable forks on ITA style carriage

High visibility mast with single lifting chain and heavy duty mast rollers

Plexiglass mast guard

Chrome plated lift cylinder provides smooth lift/lower operation and long life.

Straddle legs are made from heavy gauge steel plate with contoured wheel tip. Flush mounted wheel axles to prevent damage. Adjustable straddle legs allow for the selection of preset outrigger dimensions for various size pallets or skids

SERVICEABILITY

One piece door cover exposes major components for inspection and maintenance. Easy access 110 VAC charger cord

STANDARD EQUIPMENT

- Battery discharge indicator
- Foot actuated floor lock
- Adjustable fork carriage
- Built in 110VAC "smart" charger
- Two position fold down steer bar
- Plexiglass mast guard

