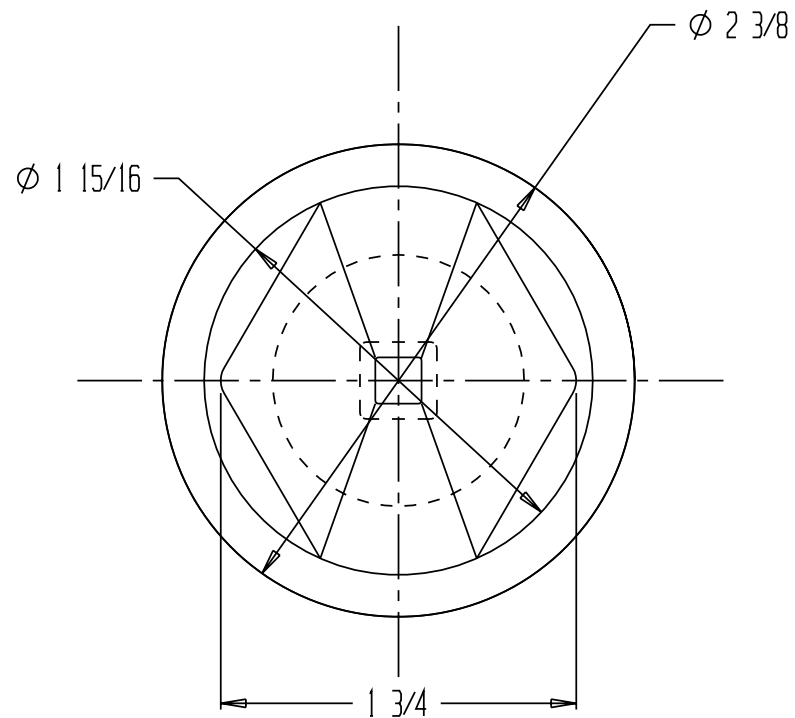
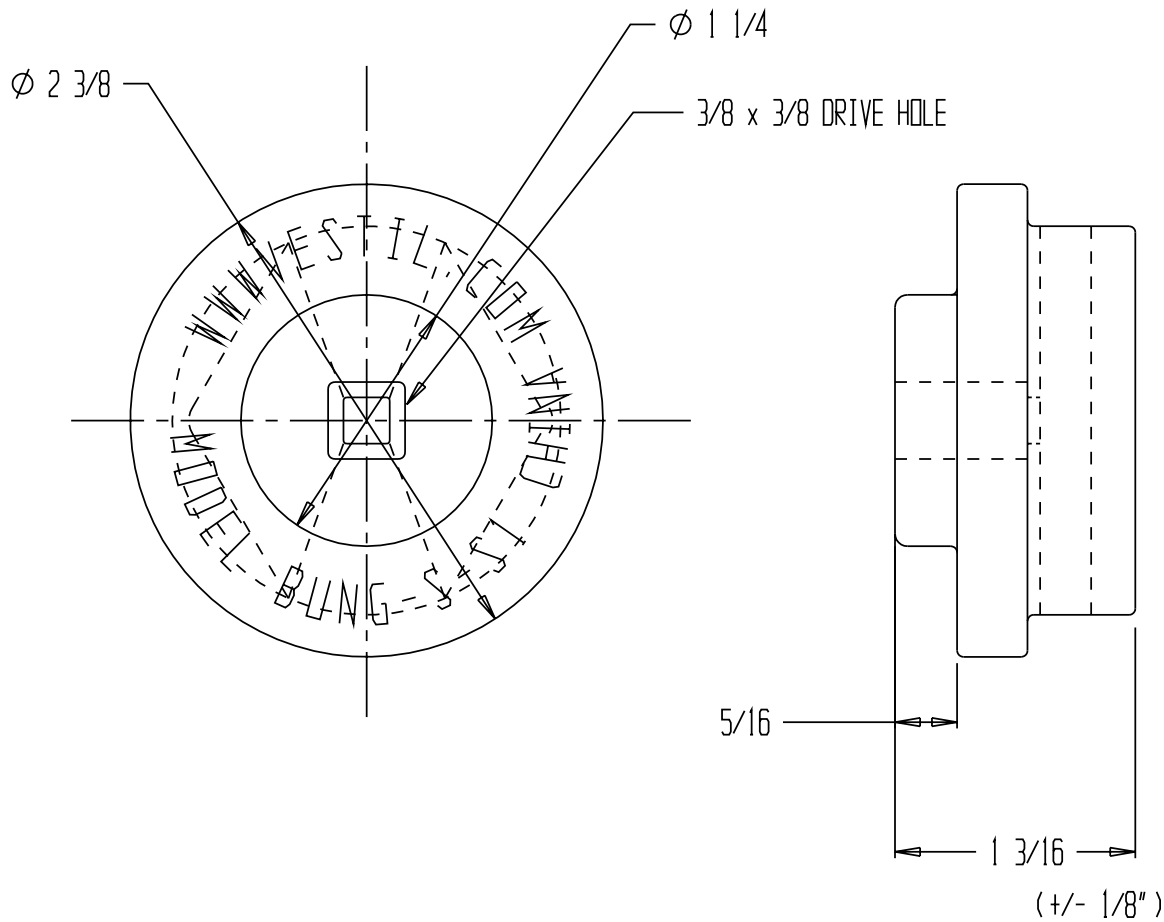


DRUM BUNG SOCKETS - BUNG-S-S1



STANDARD FEATURES

MODEL NUMBER: BUNG-S-S1
 DRIVE SIZE: $\frac{3}{8}$ "
 FITS BOTH $\frac{3}{4}$ " & 2" DRUM PLUGS
 WT. 1 LBS
 FINISH: BRIGHT ZINC PLATED CAST STEEL

APPROVAL

I, the undersigned, hereby approve this print
 As drawn As marked
 This includes my approval of design & dimensions.
 Signed: _____
 Date: _____

**SPECIAL UNITS ARE NON-RETURNABLE
 *AVAILABLE AT ADDITIONAL COSTS

DISTRIBUTOR'S NAME:		P.O.#: -
HOF EQUIPMENT COMPANY		W.O.#: -
PH: 888.990.1150		SALES: -
DRAWN BY: -	DATE: -	DRWG./FILE NAME:
REFERENCE:		BUNG-S-S1
-		SCALE: -