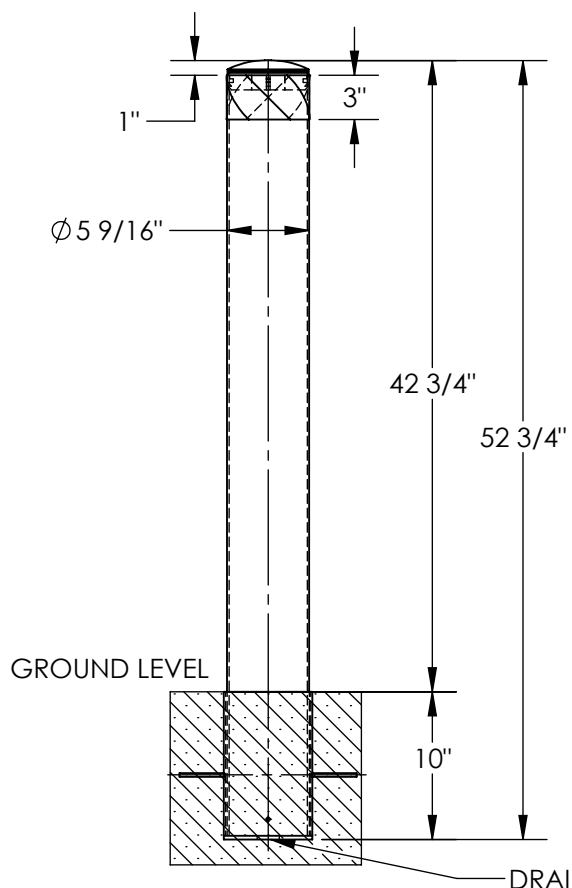
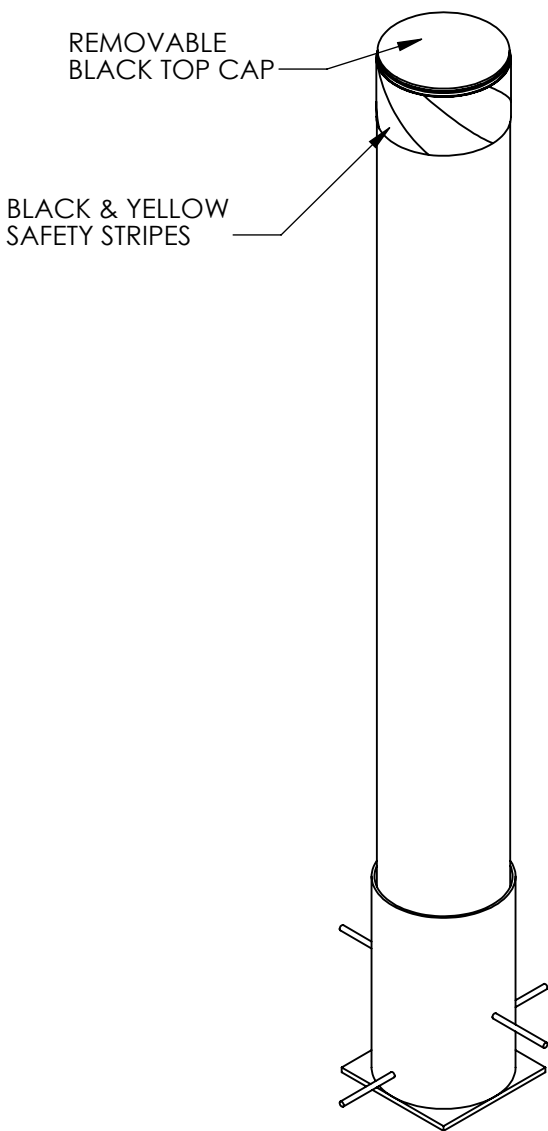
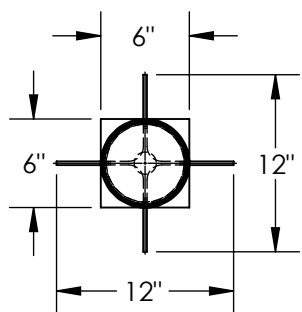


REMOVABLE BOLLARD - BOL-R-42-5.5

APPROX WEIGHT: 43.03 lbs.
DOES NOT INCLUDE WEIGHT OF POWER OR PACKAGING!!!

ANY ADDITIONS, DELETIONS, OR OMISSIONS MUST BE CORRECTED ON THIS DRAWING AS THIS DRAWING WILL BE CONSIDERED ALL INCLUSIVE



| FOR INTERNAL USE ONLY PROJECT SIGN OFF | |
|---|--|
| SALES | |
| ENG. | |
| FAB. | |
| POWER | |

ALL GRAPHICS PROVIDED ARE FOR REFERENCE ONLY. IF CERTAIN DIMENSIONS ARE CRITICAL PLEASE VERIFY THOSE DIMENSIONS WITH YOUR SALESPERSON

STANDARD FEATURES

- MODEL NUMBER IS BOL-R-42-5.5
- BOLLARD DIAMETER: $\phi 5 \frac{9}{16}$ "
- OVERALL HEIGHT IS 52 $\frac{3}{4}$ "
- USABLE HEIGHT IS 42 $\frac{3}{4}$ "
- OVERALL WIDTH: 12"
- SLEEVE BASE: 6"W x 6"L
- SLEEVE HEIGHT: 10"
- TOUGH BAKED IN POWDER COATED YELLOW FINISH
- BLACK & YELLOW SAFETY STRIPES
- ALL STEEL CONSTRUCTION (ASTM A-36 MIN.) WITH WELDING TO MEET AWS
- WARNING: CHECK APPLICABLE STATE & LOCAL LAWS FOR YOUR AREA

SPECIAL FEATURES

NONE

DIMENSION TOLERANCE +/- 1/4

| | | |
|---|--|--|
| A P P R O V A L | I, THE UNDERSIGNED, AGREE THAT THE PRODUCT AS REPRESENTED SATISFIES DESIGN AND DIMENSION REQUIREMENTS. I ALSO ACKNOWLEDGE MY DUTY TO CONFIRM PRODUCT AND INSTALLATION COMPLIANCE WITH ALL APPLICABLE FEDERAL, STATE AND LOCAL REGULATIONS AND STANDARDS. | |
| | ANY MODIFIED UNITS ARE NON-RETURNABLE | |
| | [] As drawn [] As marked | |
| | Signed: _____ Date: _____ | |
| Printed Name: _____ | | |
| LEAD TIME WILL START UPON RECEIPT OF SIGNED APPROVAL DRAWING | | |

| | | |
|------------------------------|----------------|------------|
| DISTRIBUTOR'S NAME: | | P.O.# |
| HOF EQUIPMENT COMPANY | | X |
| PH: 888.990.1150 | | W.O.# |
| | | X |
| DRAWN BY: TJM | DATE: 04/10/14 | SALES: X |
| REFERENCE: X | SCALE: 1:13 | FILE NAME: |
| QUOTED LEAD TIME: X | QUOTE # X | 23-007-208 |