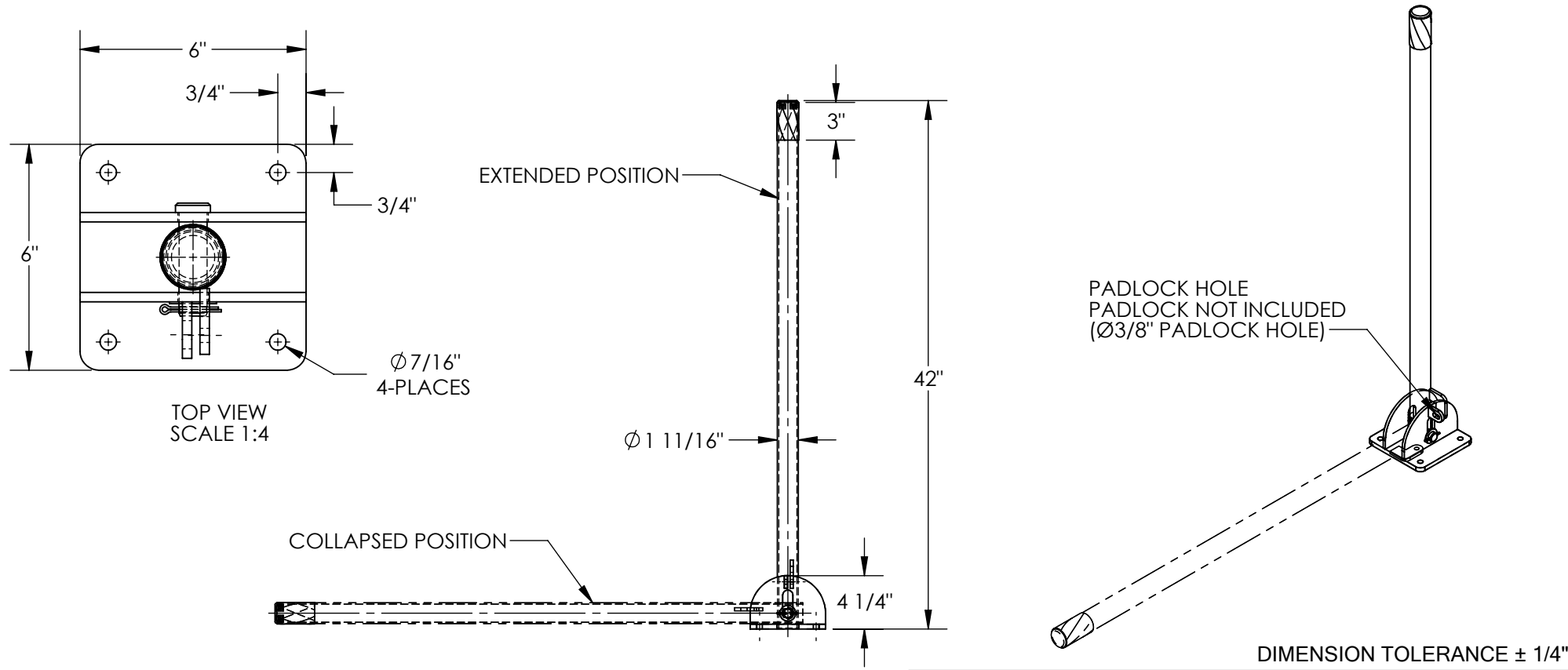


FOLDING BOLLARD - BOL-FD-36-Y

APPROX WEIGHT: 13.03 lbs.
 DOES NOT INCLUDE WEIGHT OF POWER OR PACKAGING!!!

*** ANY ADDITIONS, DELETIONS, OR OMISSIONS MUST BE CORRECTED ON THIS DRAWING AS THIS DRAWING WILL BE CONSIDERED ALL INCLUSIVE ***
 ALL GRAPHICS PROVIDED ARE FOR REFERENCE ONLY. IF CERTAIN DIMENSIONS ARE CRITICAL PLEASE VERIFY THOSE DIMENSIONS WITH YOUR SALESPERSON



STANDARD FEATURES

MODEL NUMBER IS BOL-FD-36-Y
 EXTENDED HEIGHT IS 42"
 COLLAPSED HEIGHT IS 4 1/4"
 BOLLARD DIAMETER IS $\phi 1 11/16"$
 LAG DOWN MOUNTING PLATE: 3/8" x 6" x 6"
 WITH $\phi 7/16"$ MOUNTING HOLES FOR $\phi 3/8"$ HARDWARE
INSTALLATION HARDWARE IS NOT INCLUDED
 BLACK & YELLOW SAFETY STRIPES
 TOUGH BAKED IN POWDER COATED YELLOW FINISH
 ALL STEEL CONSTRUCTION
 (ASTM A-36 MIN.) WITH
 WELDING TO MEET AWS
 WARNING: CHECK APPLICABLE STATE
 & LOCAL LAWS IN YOUR AREA

SPECIAL FEATURES

NONE

APPROVAL	I, THE UNDERSIGNED, AGREE THAT THE PRODUCT AS REPRESENTED SATISFIES DESIGN AND DIMENSION REQUIREMENTS. I ALSO ACKNOWLEDGE MY DUTY TO CONFIRM PRODUCT AND INSTALLATION COMPLIANCE WITH ALL APPLICABLE FEDERAL, STATE AND LOCAL REGULATIONS AND STANDARDS.	
	ANY MODIFIED UNITS ARE NON-RETURNABLE	
	[] As drawn [] As marked	
	Signed: _____ Date: _____	
Printed Name: _____		
<i>LEAD TIME WILL START UPON RECEIPT OF SIGNED APPROVAL DRAWING</i>		

FOR INTERNAL USE ONLY PROJECT SIGN OFF	
SALES	
ENG.	
FAB.	
POWER	

DISTRIBUTOR'S NAME:		P.O.#
HOF EQUIPMENT COMPANY		X
PH: 888-990-1150		W.O.#
DRAWN BY: ALH	DATE: 09/28/2011	X
REFERENCE: X	SCALE: 1:12	SALES: X
QUOTED LEAD TIME: X	QUOTE # X	FILE NAME:
		23-007-191-001