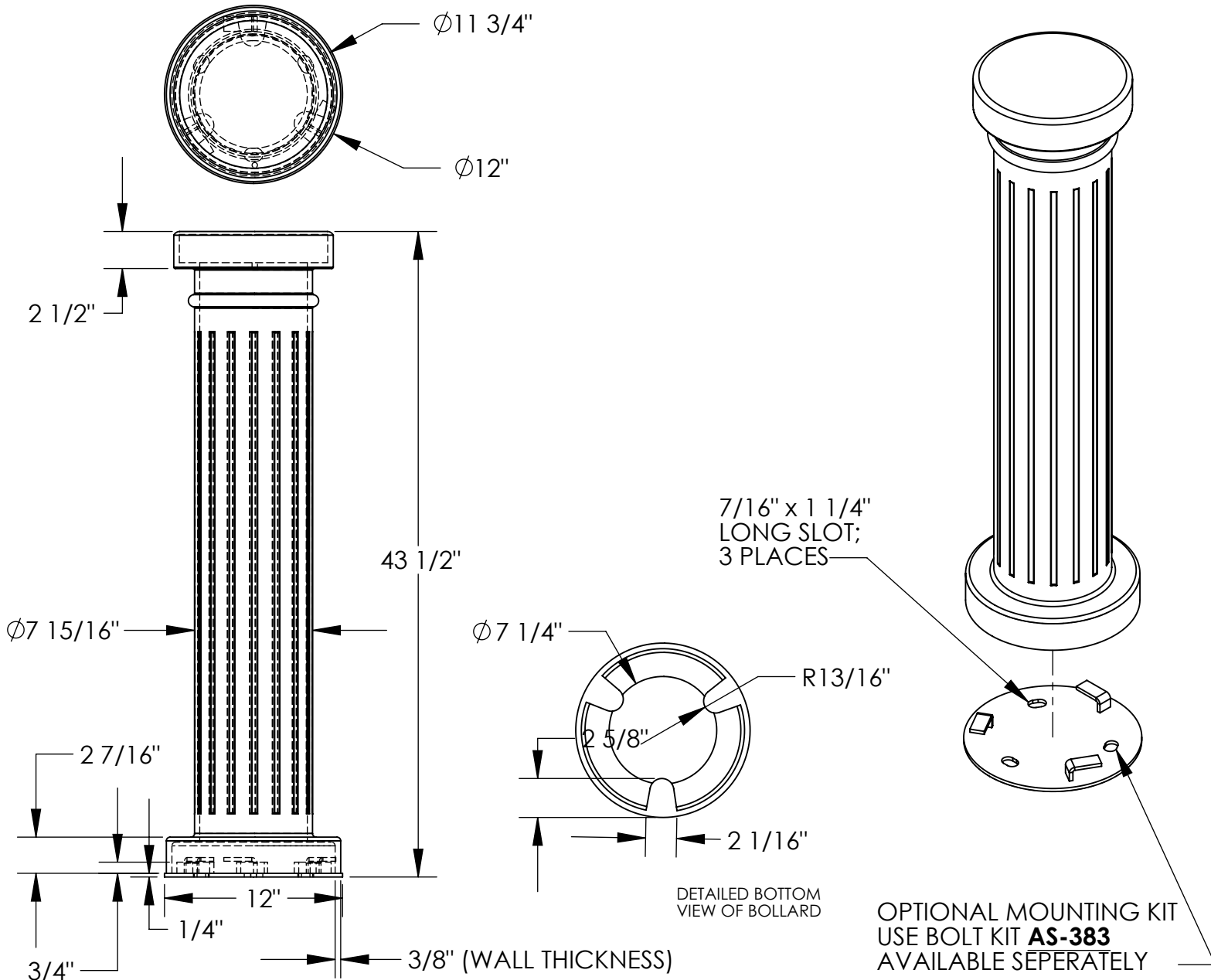


# ALUMINUM BOLLARD WITH BASE: BOL-ALUM

APPROXIMATE WEIGHT IS: 51.47 lbs.



\*\*\*ANY ADDITIONS, DELETIONS, OR OMISSIONS MUST BE CORRECTED ON THIS DRAWING AS THIS DRAWING WILL BE CONSIDERED ALL INCLUSIVE\*\*\*

ALL GRAPHICS PROVIDED ARE FOR REFERENCE ONLY. IF CERTAIN DIMENSIONS ARE CRITICAL PLEASE VERIFY THOSE DIMENSIONS WITH YOUR SALESPERSON

**ALL SPECIAL UNITS ARE NON-RETURNABLE**

## STANDARD FEATURES

MODEL NUMBER IS: BOL-ALUM  
 APPROXIMATE WEIGHT IS: 51.32 LBS.  
 BASE PIECE DIAMETER IS: 12"  
 BOLLARD BASE IS DIAMETER IS: 11 3/4"  
 COLUMN DIAMETER IS: 7 15/16"  
 OVERALL HEIGHT IS: 43 1/2"  
 BOLLARD HEIGHT IS: 43 1/4"  
 BOLLARD IS REMOVABLE FROM BASE  
 BOLLARD BASE HAS 3 SLOTS TO ANCHOR IT TO THE GROUND

## SPECIAL FEATURES

NONE

APPROVAL	I, the undersigned, hereby approve this print. This includes my approval of design & dimensions	
	<input type="checkbox"/> As drawn	<input type="checkbox"/> As marked
	Signed: _____ Date: _____	
	LEAD TIME WILL START UPON RECEIPT OF SIGNED APPROVAL DRAWING	

DISTRIBUTOR'S NAME: HOF Equipment Company Phone: 888-990-1150		P.O.# X
DRAWN BY: T. MOORE	DATE: 10/07/08	W.O.# X
REFERENCE: X	QUOTE # X	SALES: X
		FILE NAME: 23-007-261