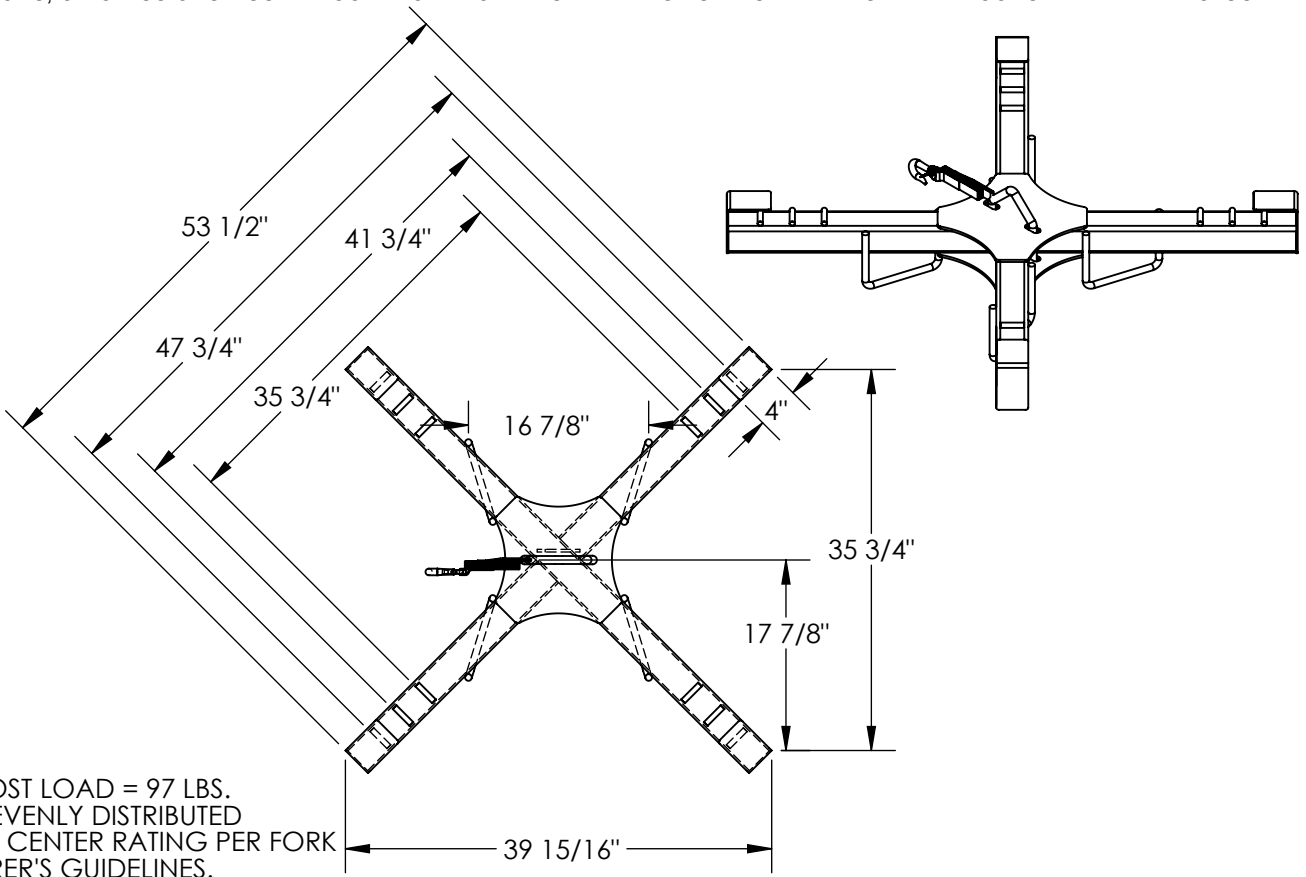


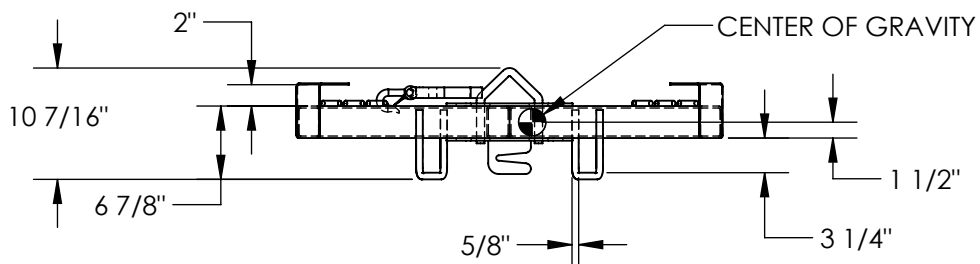
BULK BAG LIFTER - BBL-4

APPROX WEIGHT: 90.86 lbs.
 DOES NOT INCLUDE WEIGHT OF POWER OR PACKAGING!!!

ANY ADDITIONS, DELETIONS, OR OMISSIONS MUST BE CORRECTED ON THIS DRAWING AS THIS DRAWING WILL BE CONSIDERED ALL INCLUSIVE



APPROX. WEIGHT / LOST LOAD = 97 LBS.
 CAPACITY = 4,000 # EVENLY DISTRIBUTED
 NEVER EXCEED LOAD CENTER RATING PER FORK
 TRUCK MANUFACTURER'S GUIDELINES.
 EFFECTIVE THICKNESS WILL VARY DEPENDING
 ON APPLICATION & TYPE OF FORK TRUCK



DIMENSION TOLERANCE ± 1/4"

ALL GRAPHICS PROVIDED ARE FOR REFERENCE ONLY. IF CERTAIN DIMENSIONS ARE CRITICAL PLEASE VERIFY THOSE DIMENSIONS WITH YOUR SALESPERSON

FOR INTERNAL USE ONLY PROJECT SIGN OFF	
SALES	
ENG.	
FAB.	
POWER	

STANDARD FEATURES

- MODEL NUMBER IS BBL-4
- CAPACITY IS 4,000 LBS
- OVERALL WIDTH IS 53 1/2"
- USABLE WIDTH IS UP TO 35 3/4"
DEPENDING ON BAG STRAPS
- OVERALL LENGTH IS 39 15/16"
- USABLE LENGTH IS 35 3/4"
- OVERALL HEIGHT IS 10 7/16"
- BAG LINER HOOK
- FORK TRUCK RESTRAINT STRAP 48 1/2" LG

SPECIAL FEATURES

NONE

APPROVAL

I, THE UNDERSIGNED, AGREE THAT THE PRODUCT AS REPRESENTED SATISFIES DESIGN AND DIMENSION REQUIREMENTS. I ALSO ACKNOWLEDGE MY DUTY TO CONFIRM PRODUCT AND INSTALLATION COMPLIANCE WITH ALL APPLICABLE FEDERAL, STATE AND LOCAL REGULATIONS AND STANDARDS.

ANY MODIFIED UNITS ARE NON-RETURNABLE

[] As drawn [] As marked

Signed: _____ Date: _____

Printed Name: _____

LEAD TIME WILL START UPON RECEIPT OF SIGNED APPROVAL DRAWING

DISTRIBUTOR'S NAME:		P.O.#
VESTIL MANUFACTURING		X
DRAWN BY: RAL		W.O.#
DATE: 06/17/2014		X
REFERENCE: X	SCALE: 1:18	SALES: X
QUOTED LEAD TIME: X	QUOTE # X	FILE NAME:
		47-007-011