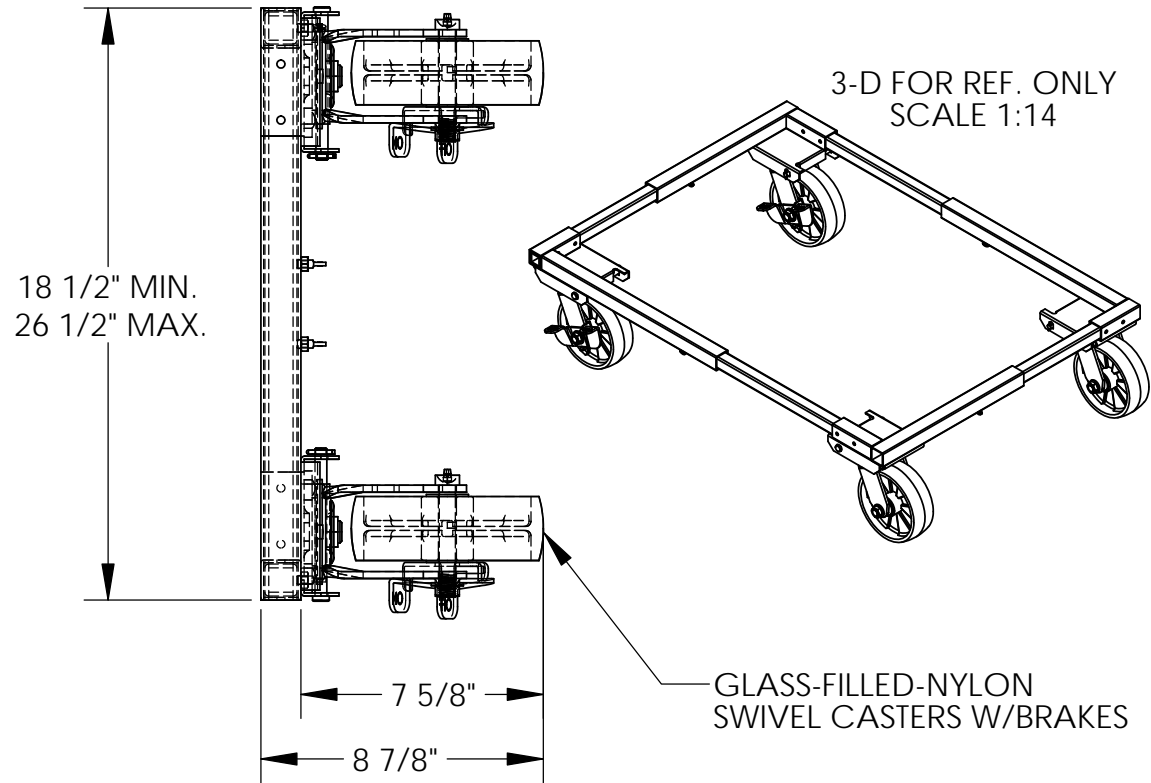
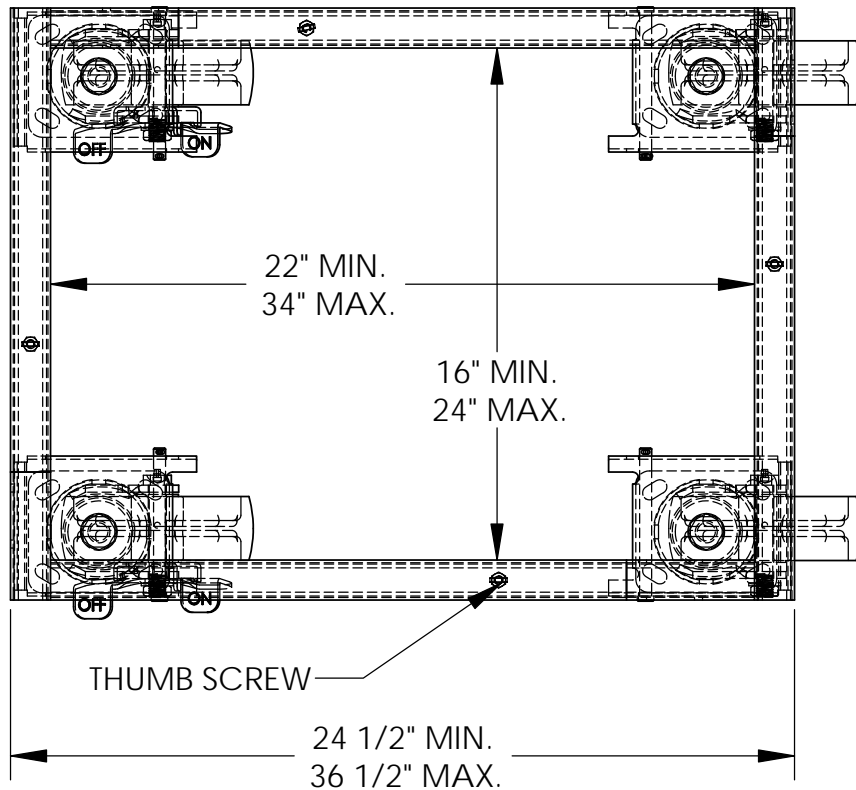


ADJUSTABLE TOTE DOLLIES - ATD-1622-6

APPROX WEIGHT: 36.61 lbs.
 DOES NOT INCLUDE WEIGHT OF POWER OR PACKAGING!!!

*** ANY ADDITIONS, DELETIONS, OR OMISSIONS MUST BE CORRECTED ON THIS DRAWING AS THIS DRAWING WILL BE CONSIDERED ALL INCLUSIVE ***

ALL GRAPHICS PROVIDED ARE FOR REFERENCE ONLY. IF CERTAIN DIMENSIONS ARE CRITICAL PLEASE VERIFY THOSE DIMENSIONS WITH YOUR SALESPERSON



STANDARD FEATURES

- MODEL NUMBER IS ATD-1622-6
- CAPACITY IS 3,000 LBS.
- OVERALL WIDTH IS 18 1/2" TO 26 1/2"
- USABLE WIDTH IS 16" TO 24"
- OVERALL LENGTH IS 24 1/2" TO 36 1/2"
- USABLE LENGTH IS 22" TO 34"
- OVERALL HEIGHT IS 8 7/8"
- USABLE HEIGHT IS 7 5/8"
- CASTERS: 6 X 2 GLASS-FILLED-NYLON CASTER
 - 2- SWIVEL CASTERS
 - 2- SWIVEL CASTERS W/ BRAKE

SPECIAL FEATURES

NONE

APPROVAL	I, THE UNDERSIGNED, AGREE THAT THE PRODUCT AS REPRESENTED SATISFIES DESIGN AND DIMENSION REQUIREMENTS. I ALSO ACKNOWLEDGE MY DUTY TO CONFIRM PRODUCT AND INSTALLATION COMPLIANCE WITH ALL APPLICABLE FEDERAL, STATE AND LOCAL REGULATIONS AND STANDARDS.	
	ALL SPECIAL UNITS ARE NON-RETURNABLE <input type="checkbox"/> As drawn <input type="checkbox"/> As marked	
Signed: _____		Date: _____
LEAD TIME WILL START UPON RECEIPT OF SIGNED APPROVAL DRAWING		

DISTRIBUTOR'S NAME: HOF EQUIPMENT COMPANY		P.O.# X
PH: 888-990-1150		W.O.# X
DRAWN BY: CA	DATE: 09/27/2011	SALES:
REFERENCE: X	SCALE: 1:6	FILE NAME:
QUOTED LEAD TIME: X	QUOTE # X	32-007-034