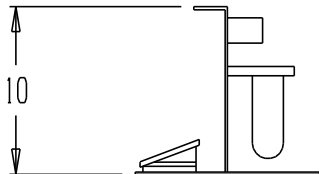
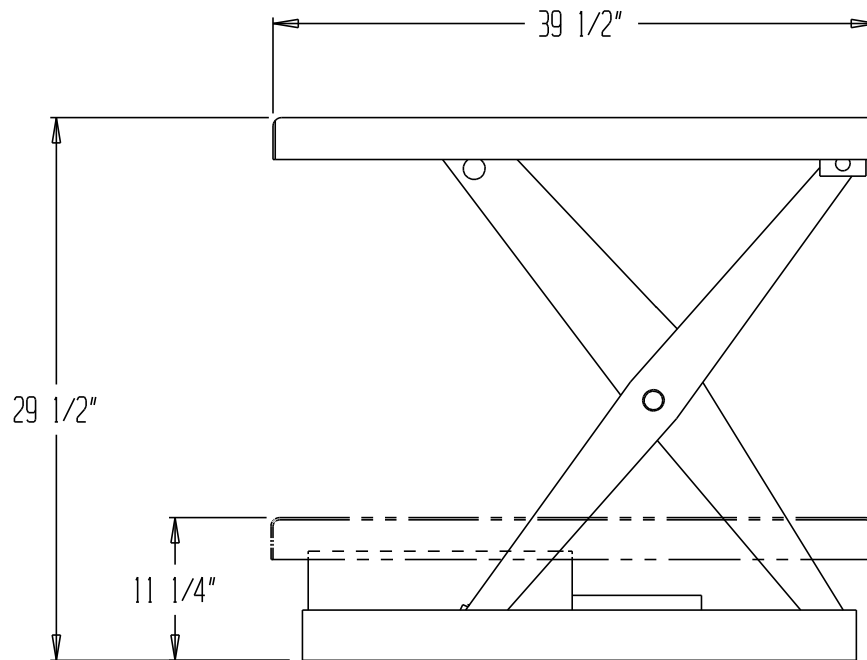
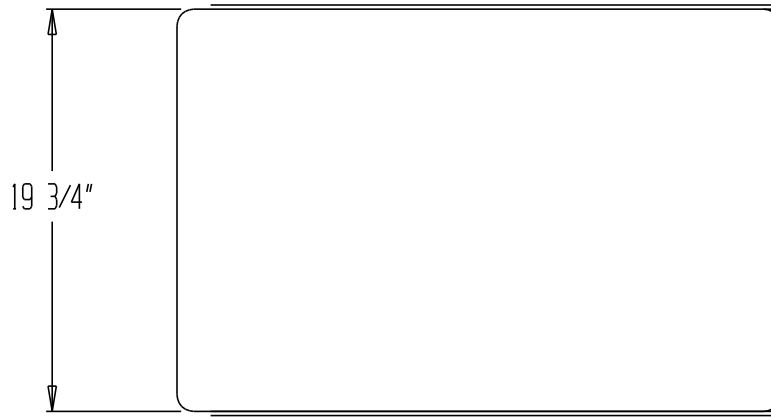
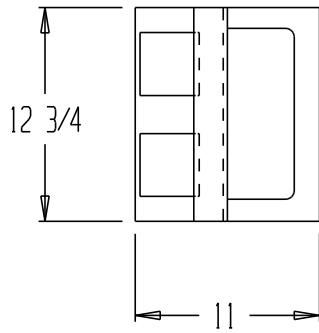


PNEUMATIC SCISSOR LIFT TABLE, AT-10



FOOT CONTROL
(W/ FILTER REGULATOR)

STANDARD FEATURES

MODEL NUMBER: AT-10
 CAPACITY: 200 LBS.
 PLATFORM WIDTH: 19 1/2"
 PLATFORM LENGTH: 39 1/2"
 FRAME WIDTH: 19 1/4"
 FRAME LENGTH: 39 1/2"
 RAISED HEIGHT: 29 1/2"
 LOWERED HEIGHT: 11 1/4"
 COLOR: BLUE
 AIR POWERED
 OPERATION: FOOT CONTROL W/ 20" HOSE

**SPECIAL UNITS ARE NON-RETURNABLE
 *AVAILABLE AT ADDITIONAL COSTS

PRODUCTION WILL START UPON
 RECEIPT OF SIGNED APPROVAL
 DRAWING

**A
P
P
R
O
V
A
L**

I, THE UNDERSIGNED, AGREE THAT THE PRODUCT AS REPRESENTED SATISFIES DESIGN & DIMENSION REQUIREMENTS. I ALSO ACKNOWLEDGE MY DUTY TO CONFIRM PRODUCT & INSTALLATION COMPLIANCE WITH ALL APPLICABLE FEDERAL, STATE AND LOCAL REGULATIONS & STANDARDS.

ALL SPECIAL UNITS ARE NON-RETURNABLE
 As drawn As marked

Signed: _____ Date: _____
 LEAD TIME WILL START UPON RECEIPT OF SIGNED APPROVAL DRAWING

SPECIAL FEATURES

NONE

DISTRIBUTOR'S NAME:		P.O.#: _
HOF EQUIPMENT COMPANY PH: 888-990-1150		W.O.#: _
DRAWN BY:	DATE: 3/25/2014	SALES: _
REFERENCE: _	SCALE: _	DRWG./FILE NAME:
QUOTED LEADTIME: _	QUOTE #: _	AT-10