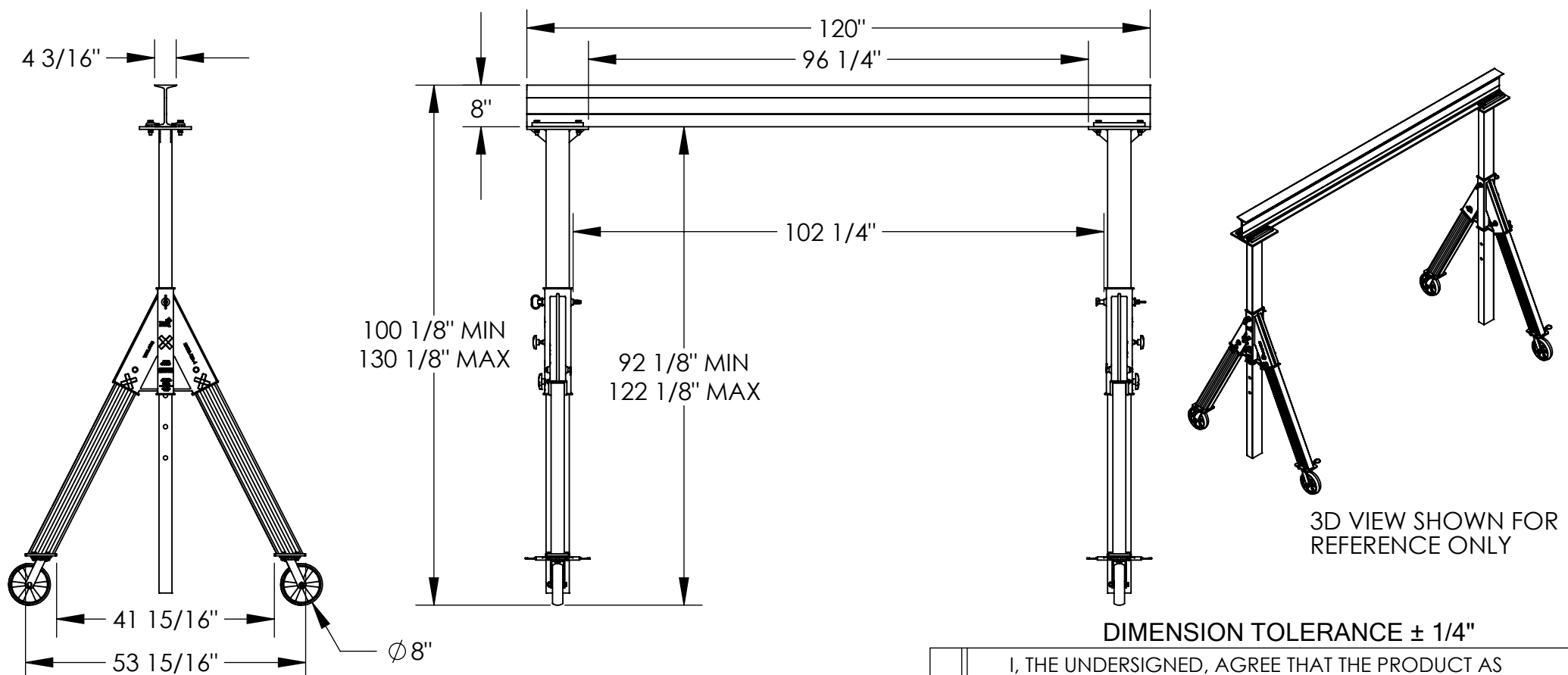


# ADJUSTABLE ALUMINUM GANTRY CRANE - AHA-4-10-10

APPROX WEIGHT: 348 lbs.  
 DOES NOT INCLUDE WEIGHT OF POWER OR PACKAGING!!!

\*\*\* ANY ADDITIONS, DELETIONS, OR OMISSIONS MUST BE CORRECTED ON THIS DRAWING AS THIS DRAWING WILL BE CONSIDERED ALL INCLUSIVE \*\*\*

ALL GRAPHICS PROVIDED ARE FOR REFERENCE ONLY. IF CERTAIN DIMENSIONS ARE CRITICAL PLEASE VERIFY THOSE DIMENSIONS WITH YOUR SALESPERSON



## STANDARD FEATURES

- MODEL NUMBER IS AHA-4-10-10
- CAPACITY IS 4,000 LBS.
- BASE WIDTH IS  $53 \frac{15}{16}$ "
- MAX OVERALL HEIGHT IS  $130 \frac{1}{8}$ "
- I-BEAM HEIGHT IS 8"
- I-BEAM WIDTH IS  $4 \frac{3}{16}$ "
- OVERALL I-BEAM LENGTH IS 120"
- USABLE I-BEAM LENGTH IS  $96 \frac{1}{4}$ "
- ADJUSTABLE UNDER I-BEAM HEIGHT
  - $92 \frac{1}{8}$ " MIN
  - $122 \frac{1}{8}$ " MAX
- HEIGHT IS ADJUSTABLE IN 6" INCREMENTS
- CASTERS: (4)  $\phi 8$ " X 2" WIDE GLASS FILLED NYLON SWIVEL CASTERS WITH FOUR LOCKING POSITIONS
- ALUMINUM CONSTRUCTION

## SPECIAL FEATURES

NONE

DIMENSION TOLERANCE  $\pm \frac{1}{4}$ "

<b>APPROVAL</b>	I, THE UNDERSIGNED, AGREE THAT THE PRODUCT AS REPRESENTED SATISFIES DESIGN AND DIMENSION REQUIREMENTS. I ALSO ACKNOWLEDGE MY DUTY TO CONFIRM PRODUCT AND INSTALLATION COMPLIANCE WITH ALL APPLICABLE FEDERAL, STATE AND LOCAL REGULATIONS AND STANDARDS.	
	<b>UNITS REQUIRING APPROVAL DRAWINGS OR MODIFIED ARE NON-RETURNABLE</b>	
	[ ] As drawn      [ ] As marked	
	Signed: _____ Date: _____	
Printed Name: _____		
LEAD TIME WILL START UPON RECEIPT OF SIGNED APPROVAL DRAWING		

FOR INTERNAL USE ONLY PROJECT SIGN OFF	
SALES	
ENG.	
FAB.	
POWER	

DISTRIBUTOR'S NAME: HOF EQUIPMENT COMPANY		P.O.# X
PH: 888-990-1150		W.O.# X
DRAWN BY: ND	DATE: 03/25/11	SALES: X
REFERENCE: X	SCALE: 1:28	FILE NAME:
QUOTED LEAD TIME: X	QUOTE # X	28-007-222