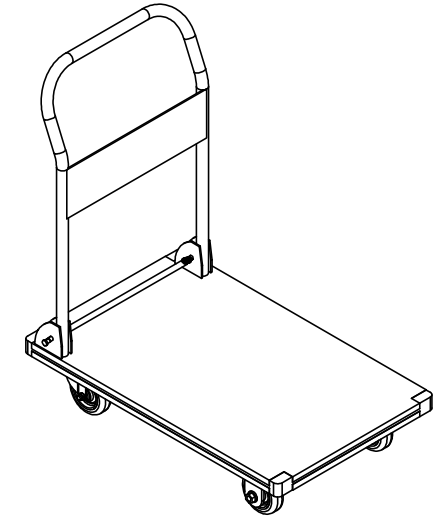
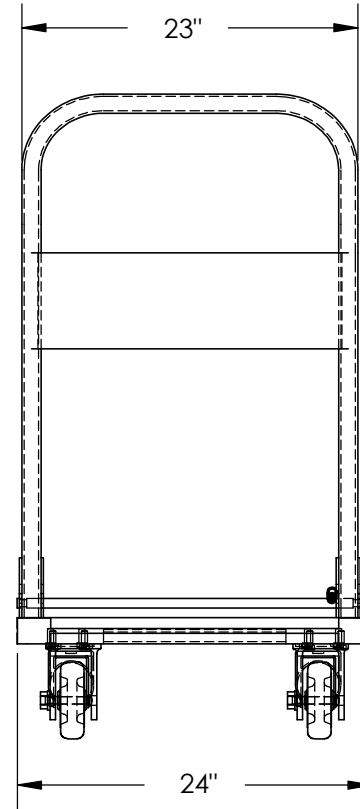
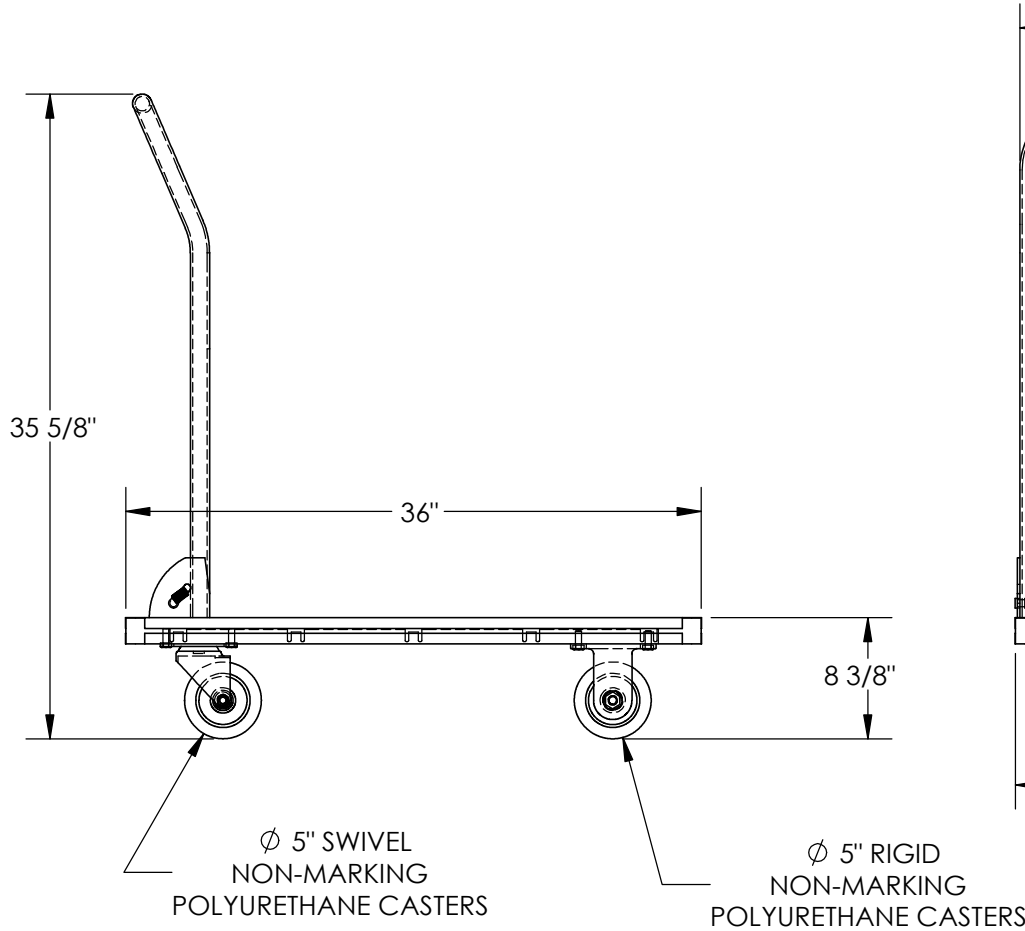


ALUMINUM FOLDING HANDLE PLATFORM TRUCK - AFT-36-NM

*** ANY ADDITIONS, DELETIONS, OR OMISSIONS MUST BE CORRECTED ON THIS DRAWING AS THIS DRAWING WILL BE CONSIDERED ALL INCLUSIVE ***
 ALL GRAPHICS PROVIDED ARE FOR REFERENCE ONLY. IF CERTAIN DIMENSIONS ARE CRITICAL PLEASE VERIFY THOSE DIMENSIONS WITH YOUR SALESPERSON



DIMENSION TOLERANCE ± 1/4"

STANDARD FEATURES

MODEL NUMBER IS AFT-36-NM
 OVERALL WIDTH IS 24"
 USABLE WIDTH IS 24"
 OVERALL LENGTH IS 36"
 USABLE LENGTH IS 36"
 OVERALL HEIGHT IS 35 5/8"
 MAX CAPACITY IS 600 LBS.
 APPROX. SHIPPING WEIGHT IS 36 LBS

SPECIAL FEATURES

NONE

APPROVAL

I, THE UNDERSIGNED, AGREE THAT THE PRODUCT AS REPRESENTED SATISFIES DESIGN AND DIMENSION REQUIREMENTS. I ALSO ACKNOWLEDGE MY DUTY TO CONFIRM PRODUCT AND INSTALLATION COMPLIANCE WITH ALL APPLICABLE FEDERAL, STATE AND LOCAL REGULATIONS AND STANDARDS.
ALL SPECIAL UNITS ARE NON-RETURNABLE
 As drawn As marked

Signed: _____ Date: _____

LEAD TIME WILL START UPON RECEIPT OF SIGNED APPROVAL DRAWING

DISTRIBUTOR'S NAME: HOF EQUIPMENT COMPANY		P.O.# X
PH: 888-990-1150		W.O.# X
DRAWN BY: TM	DATE: 04/25/18	SALES: X
REFERENCE: X	SCALE: 1:10	FILE NAME: AFT-36-NM
QUOTED LEAD TIME: X	QUOTE # X	