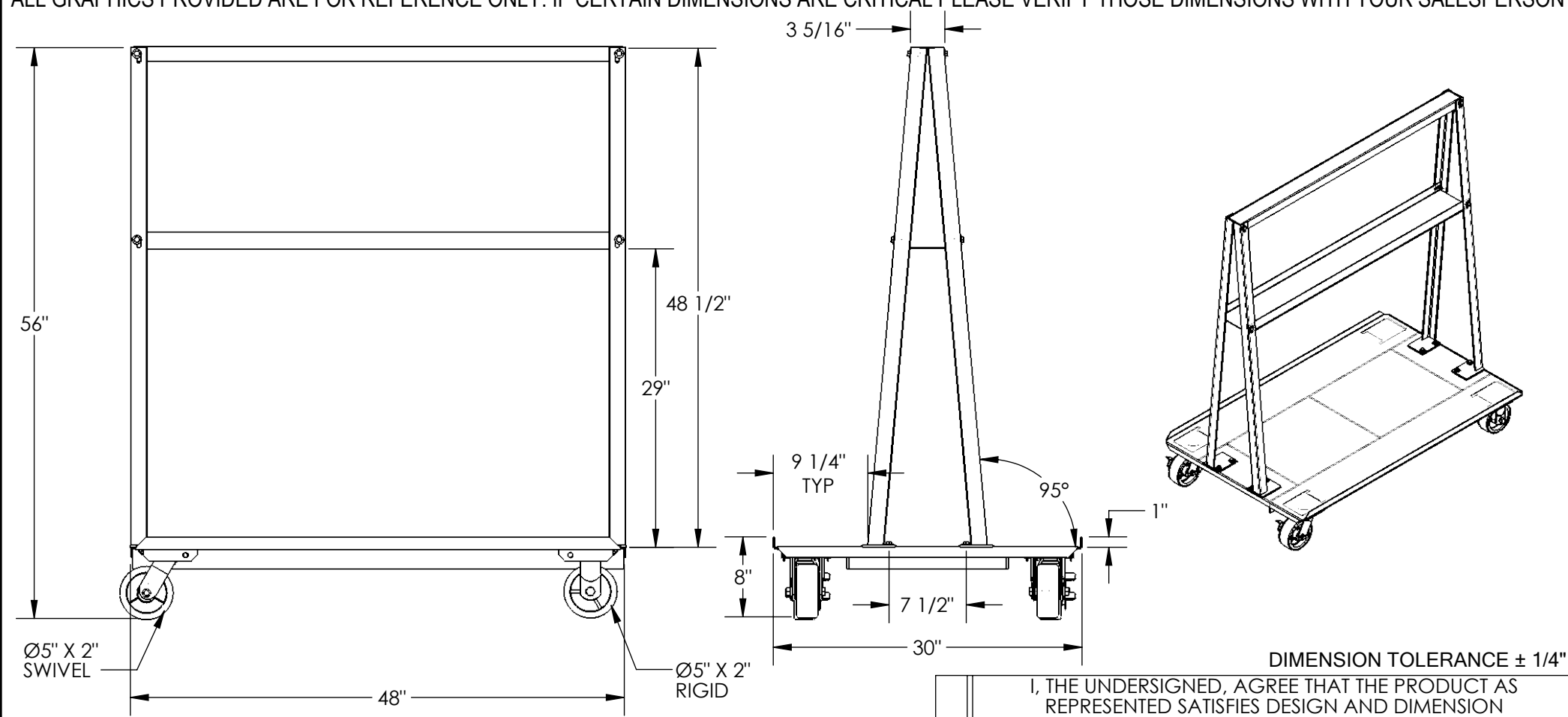


A-FRAME CART - AF-3048

APPROX WEIGHT: 138.51 lbs.
 DOES NOT INCLUDE WEIGHT OF POWER OR PACKAGING!!!

*** ANY ADDITIONS, DELETIONS, OR OMISSIONS MUST BE CORRECTED ON THIS DRAWING AS THIS DRAWING WILL BE CONSIDERED ALL INCLUSIVE ***

ALL GRAPHICS PROVIDED ARE FOR REFERENCE ONLY. IF CERTAIN DIMENSIONS ARE CRITICAL PLEASE VERIFY THOSE DIMENSIONS WITH YOUR SALESPERSON



DIMENSION TOLERANCE ± 1/4"

STANDARD FEATURES

- MODEL NUMBER IS AF-3048
- OVERALL WIDTH IS 30"
- OVERALL LENGTH IS 48"
- OVERALL HEIGHT IS 56"
- PLATFORM HEIGHT IS 8"
- MAX CAPACITY IS 2,000 LBS.
- LIP HEIGHT IS 1"
- Ø5" X 2" POLY-ON-STEEL CASTERS
- 2- RIGID CASTERS
- 2- SWIVEL CASTERS WITH BRAKE
- TOUGH BAKED IN POWDER COATED BLUE FINISH

SPECIAL FEATURES

NONE

APPROVAL

I, THE UNDERSIGNED, AGREE THAT THE PRODUCT AS REPRESENTED SATISFIES DESIGN AND DIMENSION REQUIREMENTS. I ALSO ACKNOWLEDGE MY DUTY TO CONFIRM PRODUCT AND INSTALLATION COMPLIANCE WITH ALL APPLICABLE FEDERAL, STATE AND LOCAL REGULATIONS AND STANDARDS.

ANY MODIFIED UNITS ARE NON-RETURNABLE

[] As drawn [] As marked

Signed: _____ Date: _____

Printed Name: _____

LEAD TIME WILL START UPON RECEIPT OF SIGNED APPROVAL DRAWING

| FOR INTERNAL USE ONLY PROJECT SIGN OFF | |
|---|--|
| SALES | |
| ENG. | |
| FAB. | |
| POWER | |

| | | | | | | |
|---------------------|--|-----------------------|---------|-----------|------------|---|
| DISTRIBUTOR'S NAME: | | HOF EQUIPMENT COMPANY | | P.O.# | X | |
| | | PH: 888-990-1150 | | W.O.# | X | |
| DRAWN BY: | | CA | DATE: | 10/3/2013 | SALES: | X |
| REFERENCE: | | X | SCALE: | 1:14 | FILE NAME: | |
| QUOTED LEAD TIME: | | X | QUOTE # | X | 16-007-032 | |