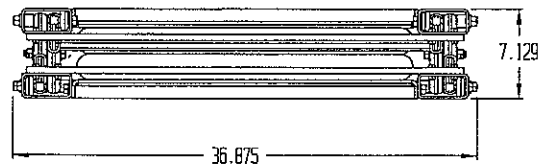
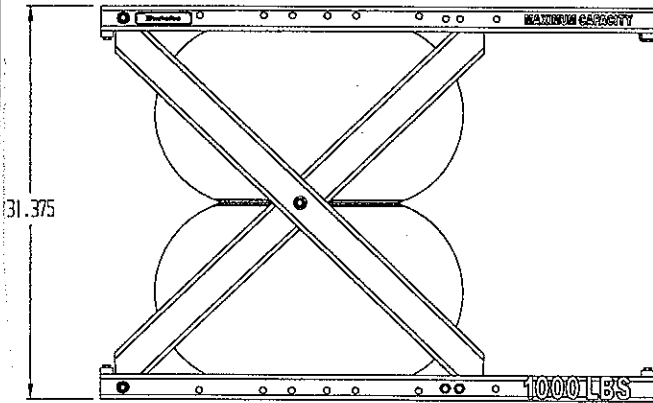
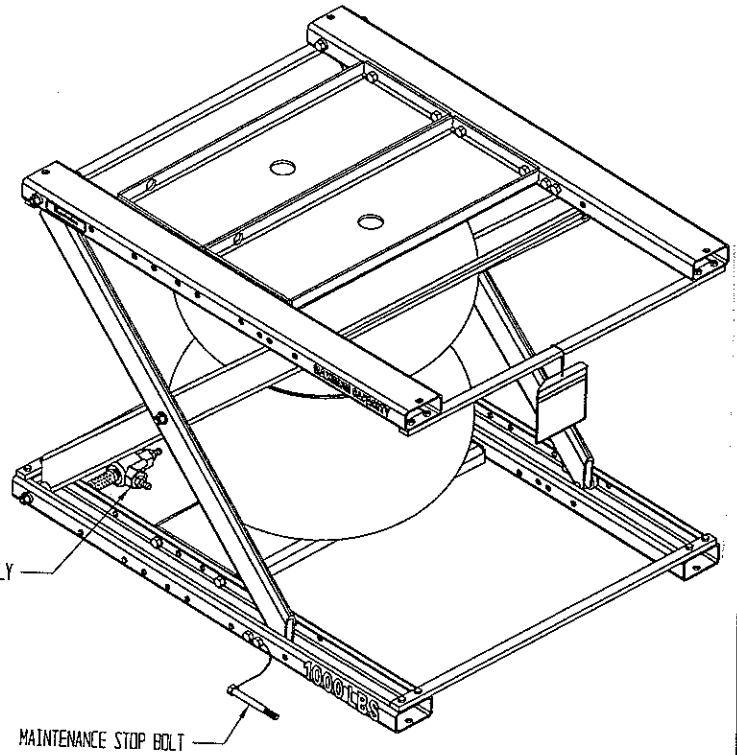
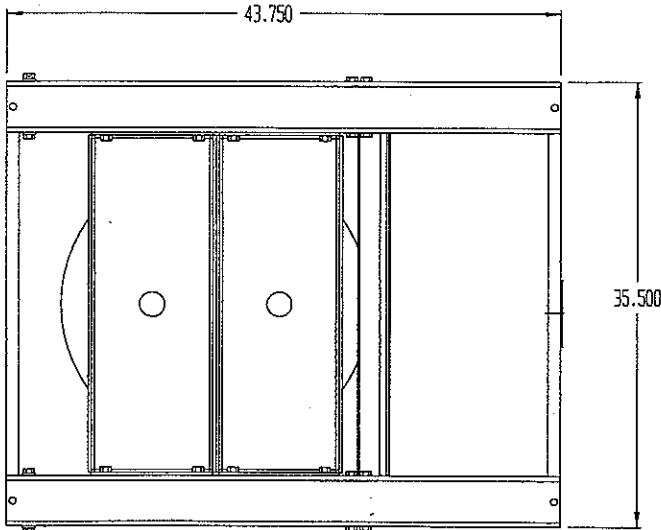


\*\* Any additions, deletions or omissions must be corrected on this drawing, as this drawing will be considered all inclusive. \*\*  
 \*\* All graphics provided are for reference only. If certain dimensions are critical please verify those dimensions with your salesperson \*\*

# AIR BAG SCISSOR LIFT TABLE, ABLT-H-1-32



## STANDARD FEATURES

- MODEL NUMBER: ABLT-H-1-32
- CAPACITY: 1,000 LBS.
- PLATFORM WIDTH: 35 1/2"
- PLATFORM LENGTH: 43 3/4"
- PLATFORM LOWERED HEIGHT: 7"
- PLATFORM RAISED HEIGHT: 32"
- AIR REQUIREMENT: 80 - 100 PSI @ 15 CFM
- STANDARD PRESSURE RELIEF VALVE
- STANDARD MAINTENANCE STOPS

## SPECIAL FEATURES

NONE

I, THE UNDERSIGNED, AGREE THAT THE PRODUCT AS REPRESENTED SATISFIES DESIGN & DIMENSION REQUIREMENTS. I ALSO ACKNOWLEDGE MY DUTY TO CONFIRM PRODUCT & INSTALLATION COMPLIANCE WITH ALL APPLICABLE FEDERAL, STATE AND LOCAL REGULATIONS & STANDARDS.  
**ALL SPECIAL UNITS ARE NON-RETURNABLE**  
 As drawn       As marked

Signed: \_\_\_\_\_ Date: \_\_\_\_\_  
 LEAD TIME WILL START UPON RECEIPT OF SIGNED APPROVAL DRAWING

DISTRIBUTOR'S NAME:		P.O.#: -
<b>HOF EQUIPMENT COMPANY</b> PH: 888 990 1150		W.O.#: -
DRAWN BY: SR	DATE: 4-14-09	SALES: -
REFERENCE:	DRWG./FILE NAME:	
SCALE: NTS		ABLT-H-1-32