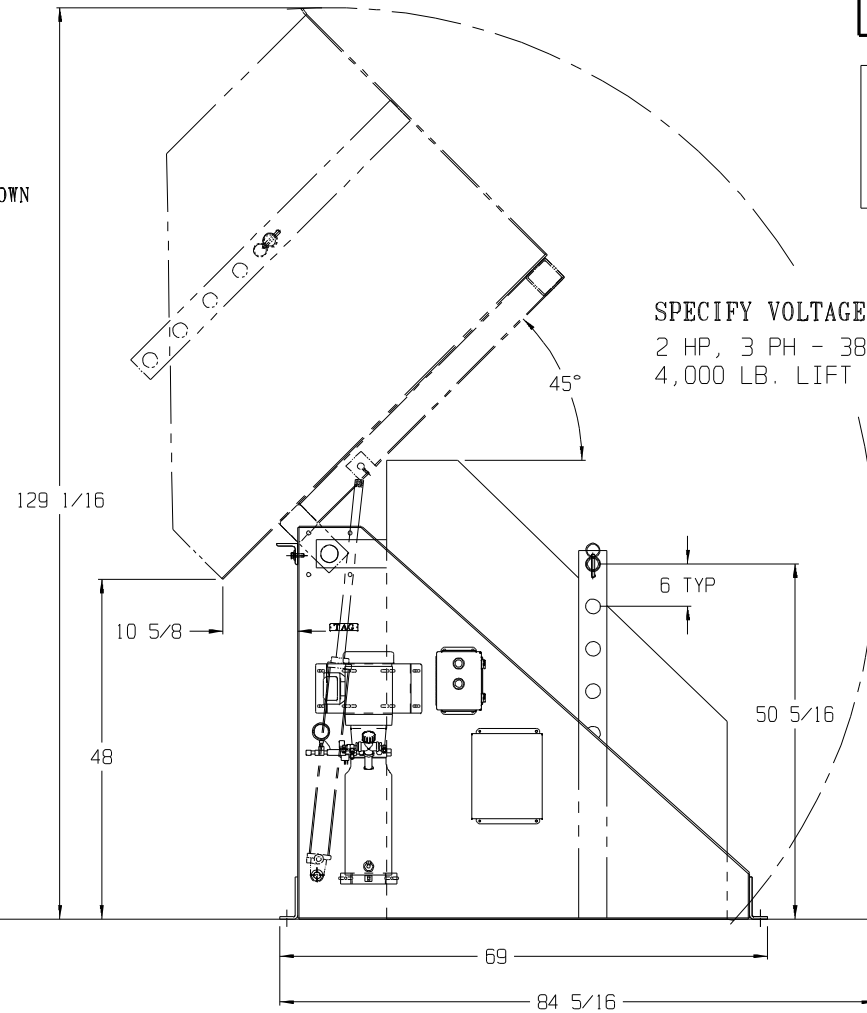
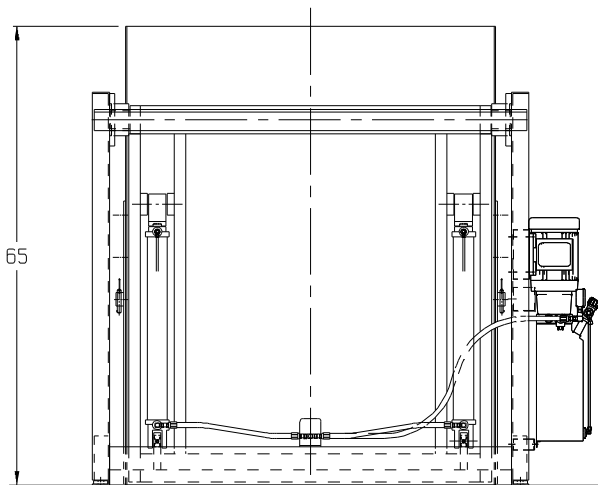
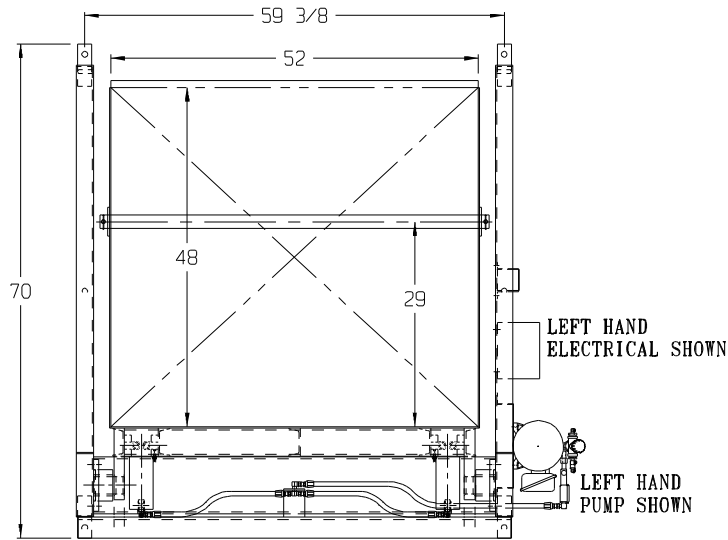


# PROPRIETARY INFORMATION

THIS DRAWING IS THE CONFIDENTIAL PROPERTY OF ENDURA-VEYOR, INC. AND TRANSMITTED IN CONFIDENCE. THE REPRODUCTION, USE OR DISCLOSURE, IN WHOLE OR IN PART, OF THE DESIGN OR DETAILS CONTAINED HEREIN IS PROHIBITED WITHOUT THE EXPRESS WRITTEN PERMISSION OF ENDURA-VEYOR, INC.

**PLEASE SPECIFY:  
RIGHT HAND OR  
LEFT HAND PUMP**

**SPECIFY VOLTAGE - 460, 230 OR 208  
2 HP, 3 PH - 38 SEC. LIFT TIME  
4,000 LB. LIFT CAPACITY**



**PAINT COLOR:  
INTERNATIONAL  
BALER GREEN**

**APPROVED**  
AS SHOWN AS NOTED  
CO. NAME \_\_\_\_\_  
SIGNATURE \_\_\_\_\_  
DATE \_\_\_\_\_

## SAFETY REVIEW

THE NEED FOR SAFETY DEVICES VARIES WITH EACH APPLICATION OF THIS PRODUCT. THIS DRAWING MAY NOT INCLUDE ALL APPROPRIATE SAFETY DEVICES FOR YOUR APPLICATION. AS SYSTEMS INTEGRATOR, PLEASE ADVISE YOUR CUSTOMER OF DEVICES THAT ARE APPROPRIATE FOR HIS/HER APPLICATION, BASED ON YOUR SAFETY ASSESSMENT. DEVICES MAY INCLUDE, BUT ARE NOT LIMITED TO THOSE SUCH AS, ADDITIONAL GUARDING, SAFETY CONTROLS, BARRICADES, END STOPS, ETC. COMPLIANCE WITH FEDERAL, STATE, OSHA AND LOCAL LAWS OR CODES ARE THE RESPONSIBILITY OF BOTH YOU, AS THE SYSTEMS INTEGRATOR/DISTRIBUTOR, AND THE END USER.

## APPLICATION REVIEW

PLEASE REVIEW THE DUMPER DESIGN FOR ITS ABILITY TO FUNCTION PROPERLY IN YOUR INTENDED APPLICATION. SYSTEM INTEGRATION AND APPLICATION REVIEW ARE NOT THE RESPONSIBILITY OF ENDURA-VEYOR INC. THEREFORE, ENDURA-VEYOR INC. MAKES NO CLAIM AS TO THE PERFORMANCE OF THIS DESIGN FOR ANY PARTICULAR PURPOSE OR APPLICATION.

**HOF EQUIPMENT  
COMPANY  
PH: 888-990-1150**

JOB NO: -  
DRAWN BY: CEK II  
SCALE: N/A  
DATE: 10/12/07  
REVISION: -

TITLE: CONTAINER DUMPER  
MODEL #4BD-48-5248

ORG. NO.:  
**APPROVAL**

\\APN-FS1\FM\CEV\STANDARD\COD\NEW STYLE TIPPERS\APPROVAL DWG\4BD-48-5248.PRT