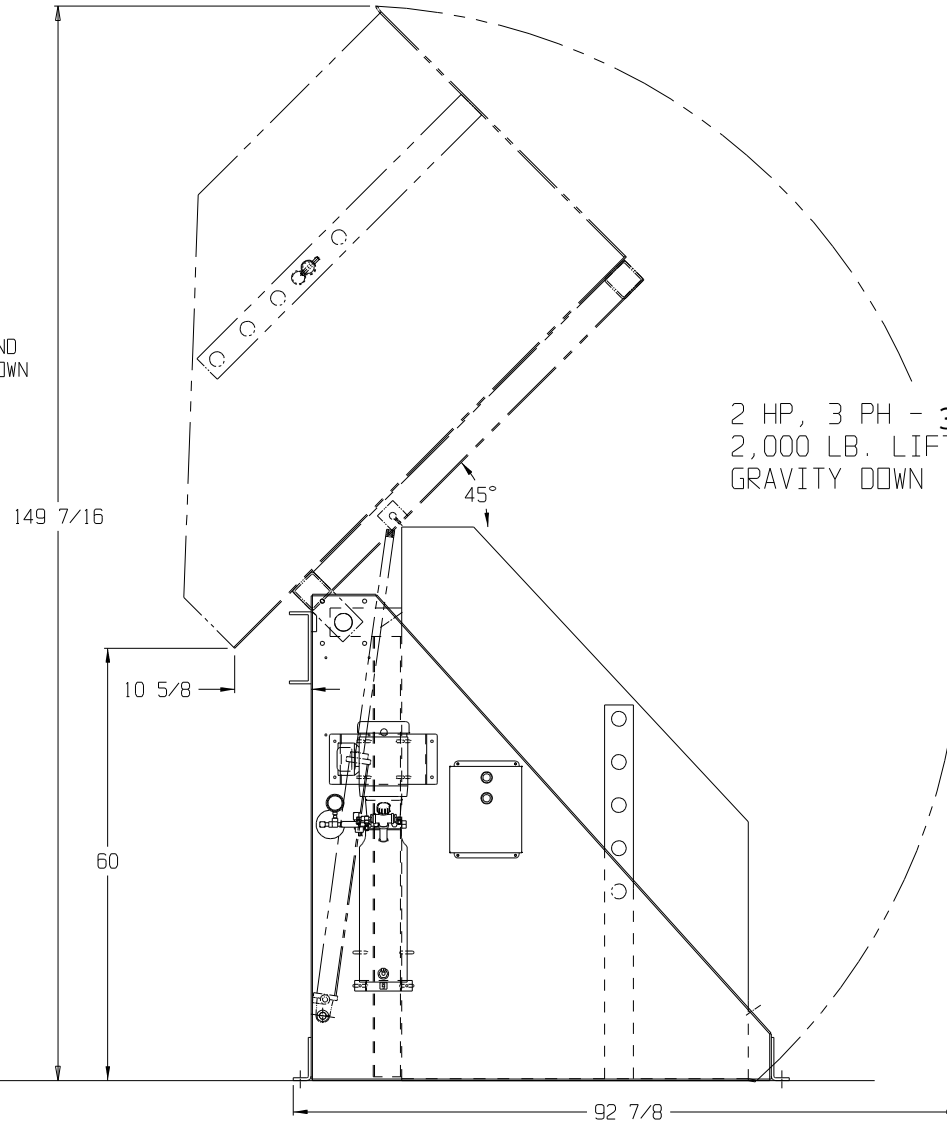
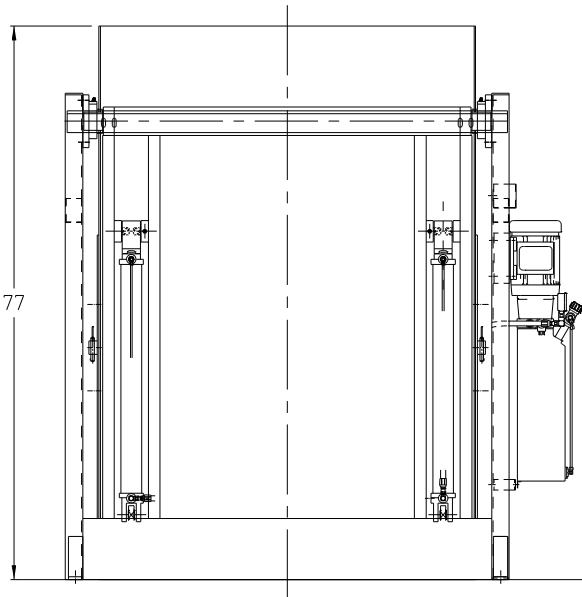
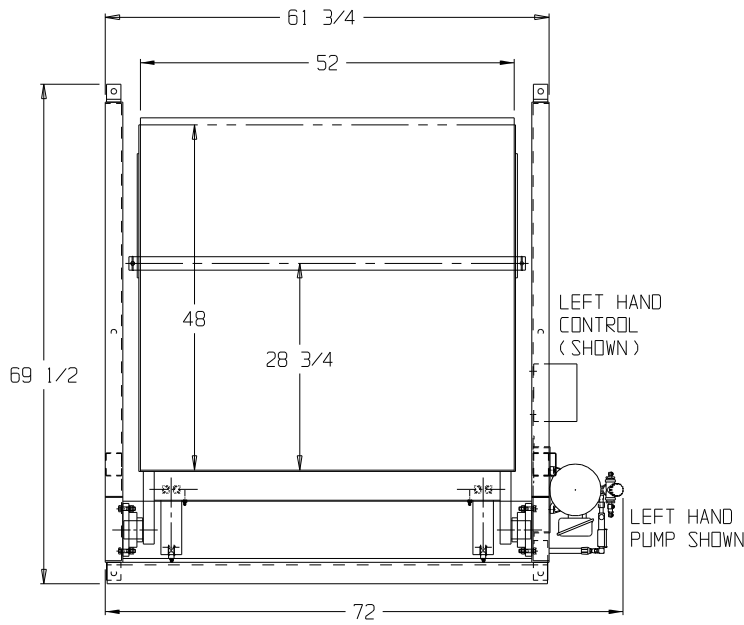


PROPRIETARY INFORMATION

THIS DRAWING IS THE CONFIDENTIAL PROPERTY OF ENDURA-VEYOR, INC. AND TRANSMITTED IN CONFIDENCE. THE REPRODUCTION, USE OR DISCLOSURE, IN WHOLE OR IN PART, OF THE DESIGN OR DETAILS CONTAINED HEREIN IS PROHIBITED WITHOUT THE EXPRESS WRITTEN PERMISSION OF ENDURA-VEYOR, INC.

SHIPPING DIMENSIONS:
82 "L x 86 "W x 87 "H

SHIPPING WEIGHT:
2400 LBS



SAFETY REVIEW

APPLICATION REVIEW

PROPOSAL DRAWING

HOF EQUIPMENT COMPANY
PH: 888-990-1150

JOB NO: Q68354
DRAWN BY: PFG
SCALE: N/A
DATE: 10/25/21
REVISION: -

THE NEED FOR SAFETY DEVICES VARIES WITH EACH APPLICATION OF THIS PRODUCT. THIS DRAWING MAY NOT INCLUDE ALL APPROPRIATE SAFETY DEVICES FOR YOUR APPLICATION. AS SYSTEMS INTEGRATOR, PLEASE ADVISE YOUR CUSTOMER OF DEVICES THAT ARE APPROPRIATE FOR HIS/HER APPLICATION, BASED ON YOUR SAFETY ASSESSMENT. DEVICES MAY INCLUDE, BUT ARE NOT LIMITED TO THOSE SUCH AS, ADDITIONAL GUARDING, SAFETY CONTROLS, BARRICADES, END STOPS, ETC. COMPLIANCE WITH FEDERAL, STATE, OSHA AND LOCAL LAWS OR CODES ARE THE RESPONSIBILITY OF BOTH YOU, AS THE SYSTEMS INTEGRATOR/DISTRIBUTOR, AND THE END USER.

PLEASE REVIEW THE CONVEYOR DESIGN FOR ITS ABILITY TO FUNCTION PROPERLY IN YOUR INTENDED APPLICATION. SYSTEM INTEGRATION AND APPLICATION REVIEW ARE NOT THE RESPONSIBILITY OF ENDURA-VEYOR INC. THEREFORE, ENDURA-VEYOR INC. MAKES NO CLAIM AS TO THE PERFORMANCE OF THIS DESIGN FOR ANY PARTICULAR PURPOSE OR APPLICATION.

INFORMATION MAY CHANGE AT TIME OF FINAL APPROVAL DRAWING

PAINT COLOR:
RAL-5019 CAPRI BLUE

TITLE:
CONTAINER DUMPER #2BD-60-5248

ORG. NO.:
PROPOSAL